

FIGURE 1

FIG. 2

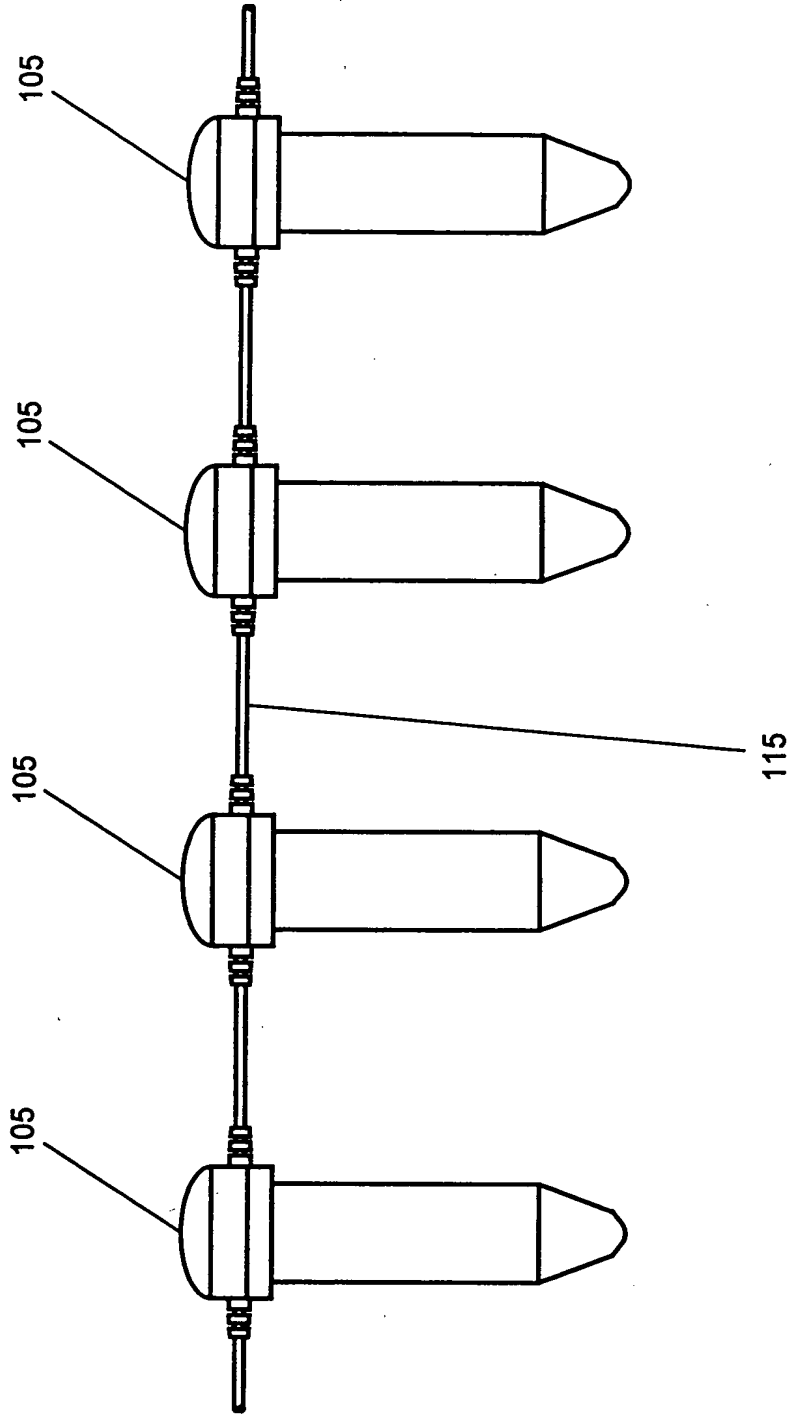


FIGURE 2

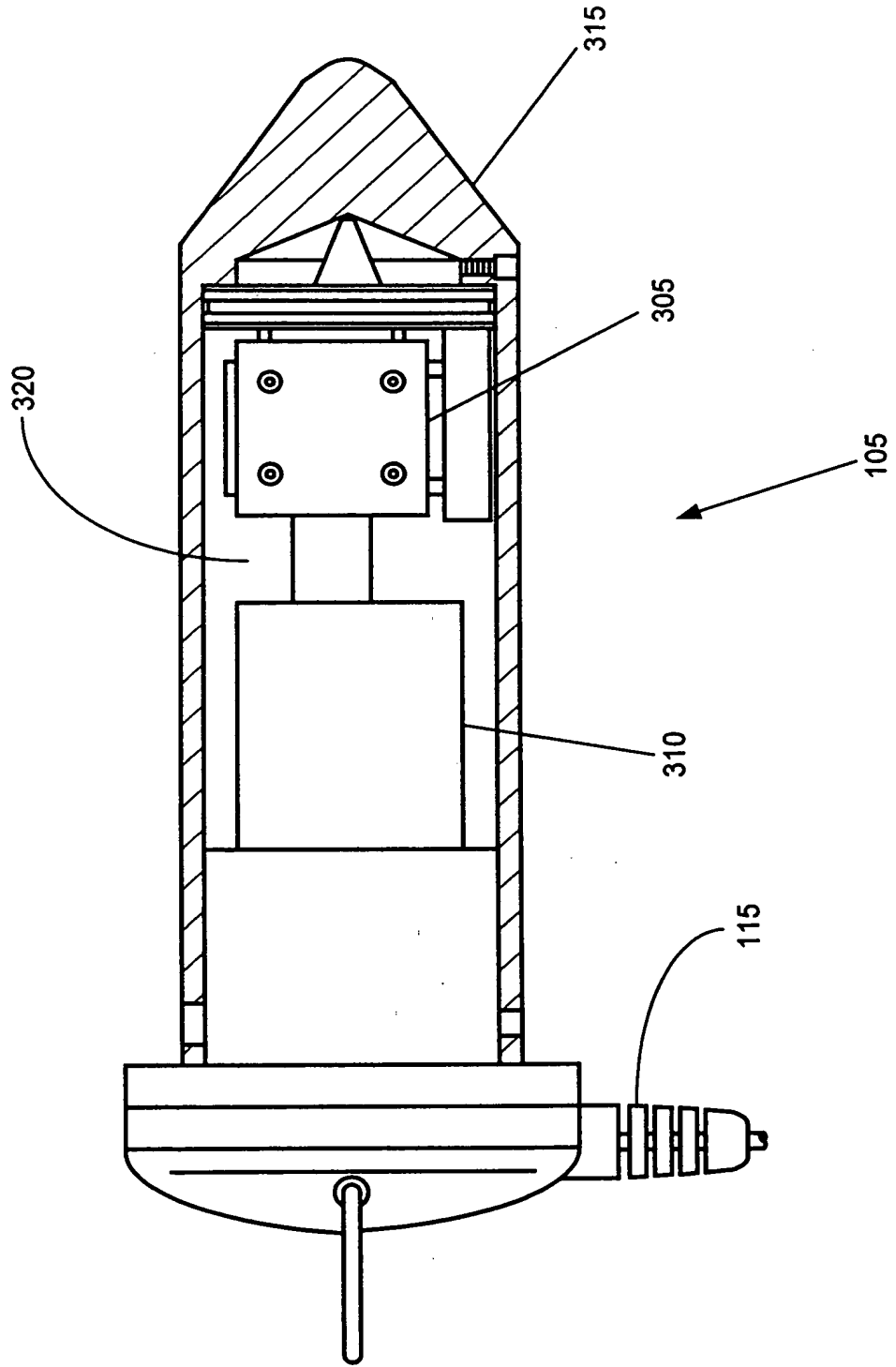


FIGURE 3a

FOR SEEN

FIG. 3a

105

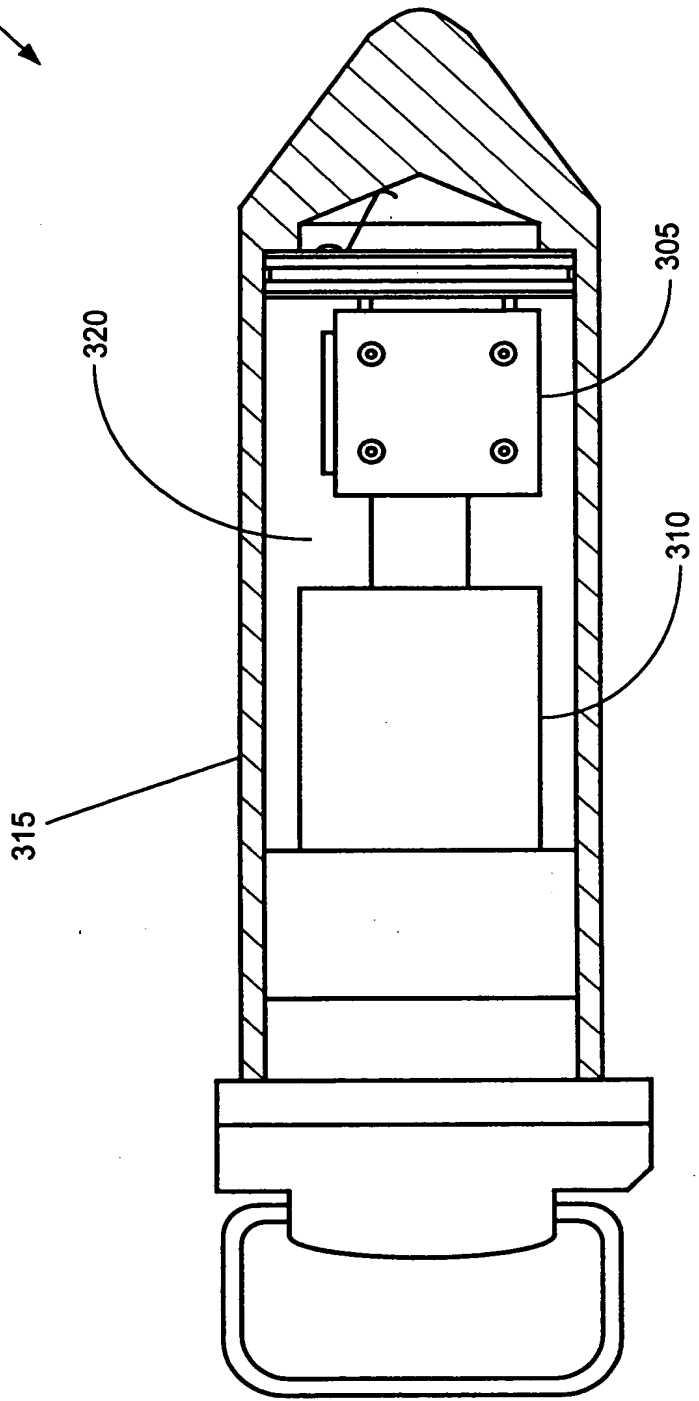


FIGURE 3b

FIG. 4

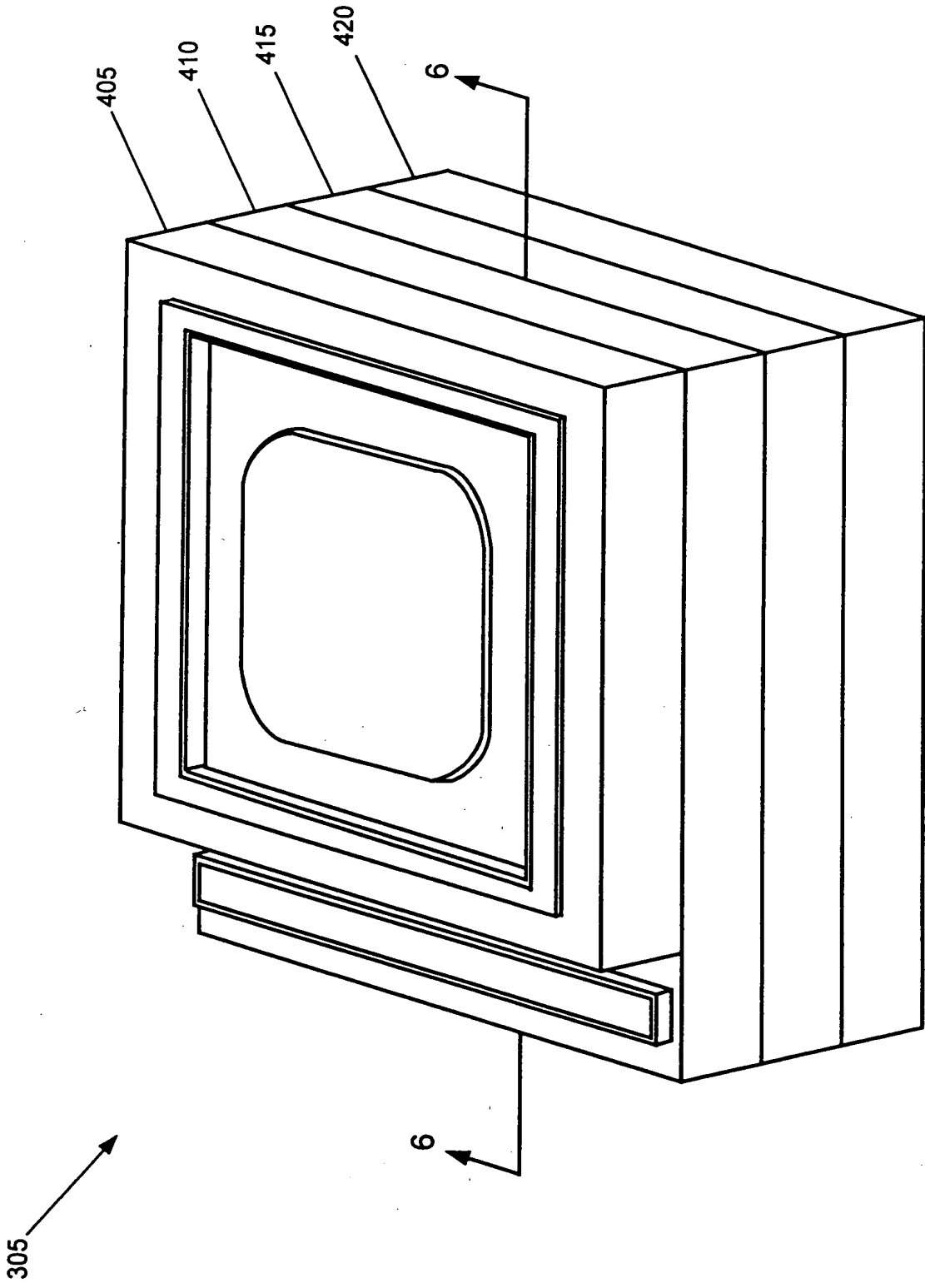


FIGURE 4

FIG. 5

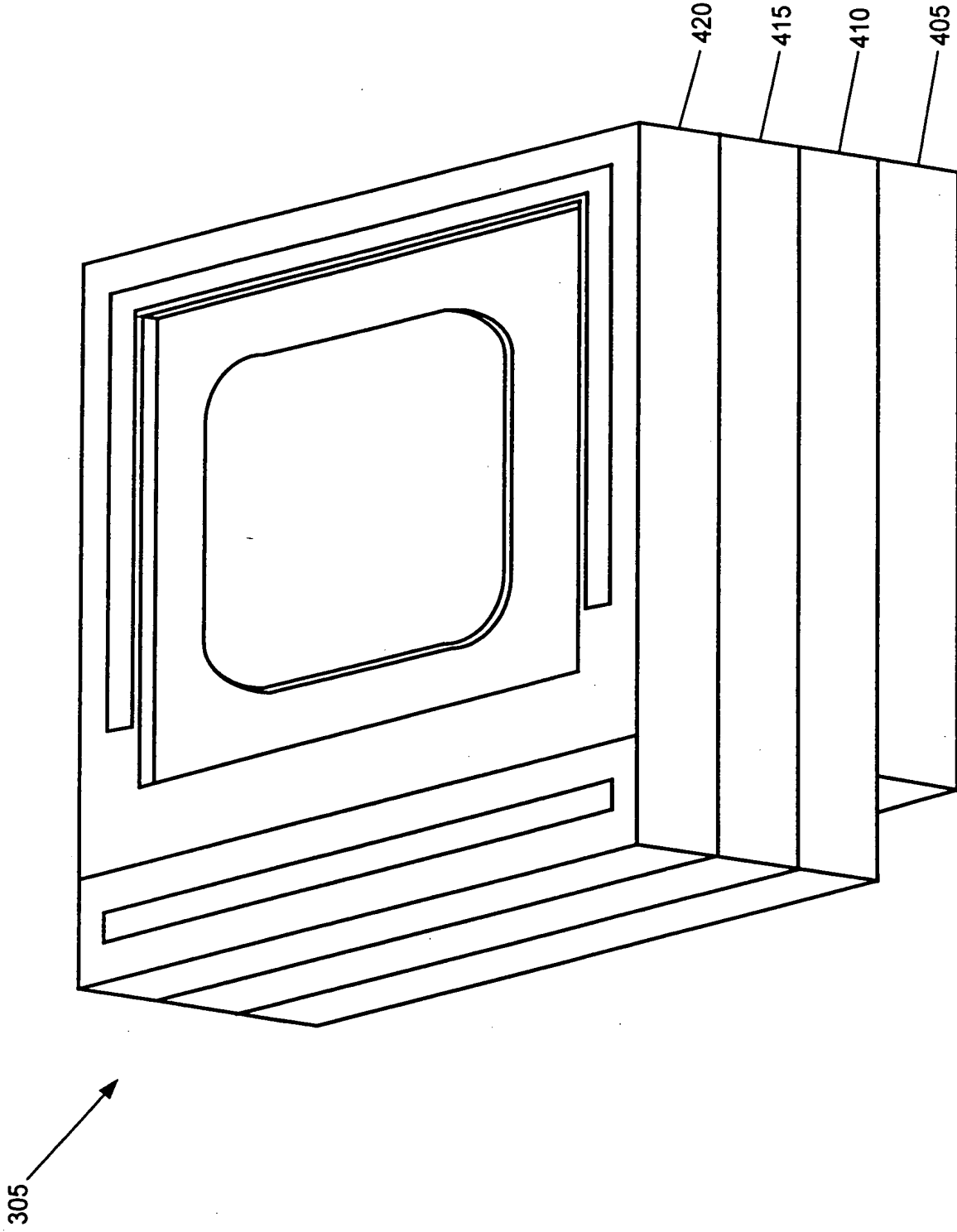


FIGURE 5

FIG. 6

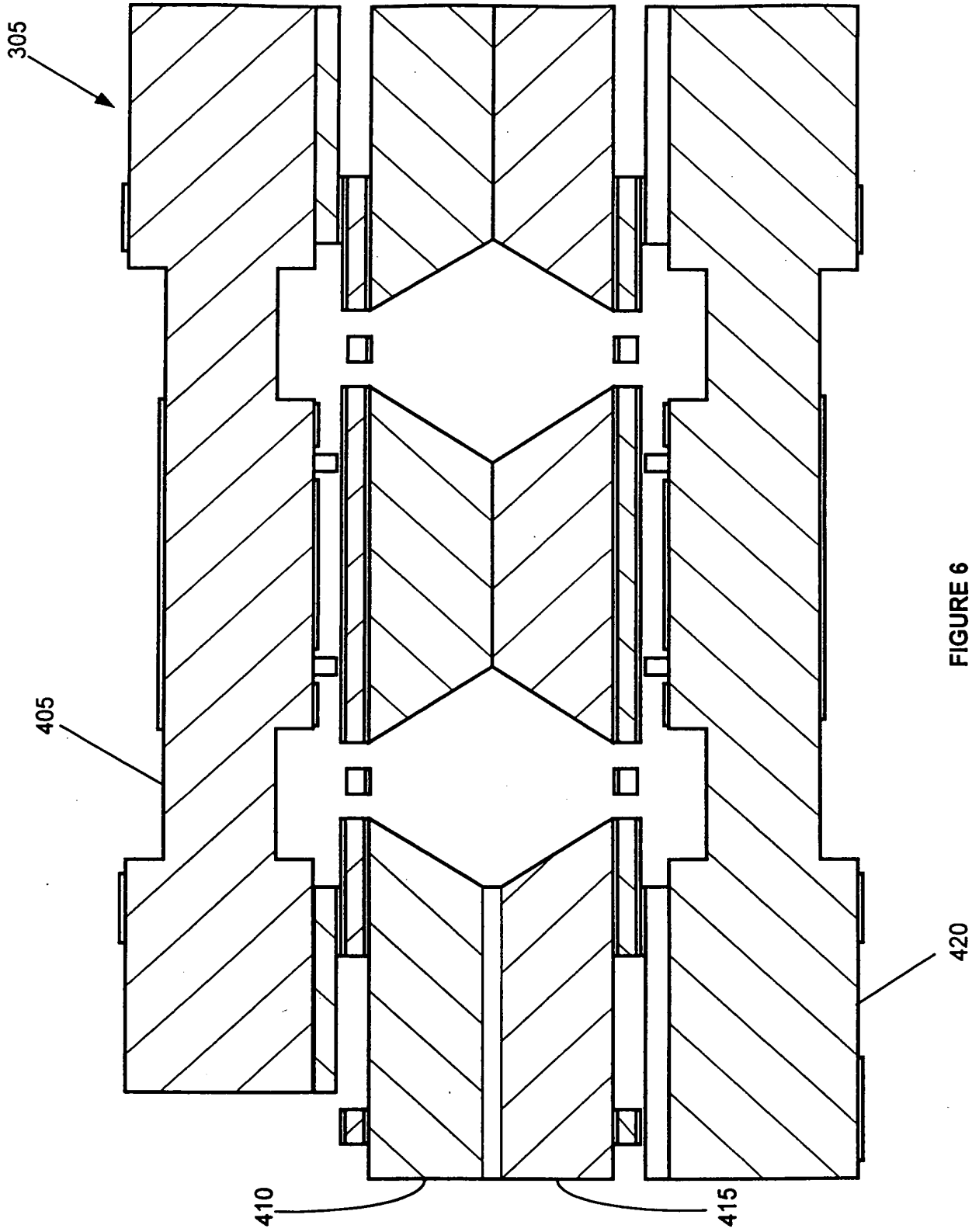


FIGURE 6

FIG. 7a

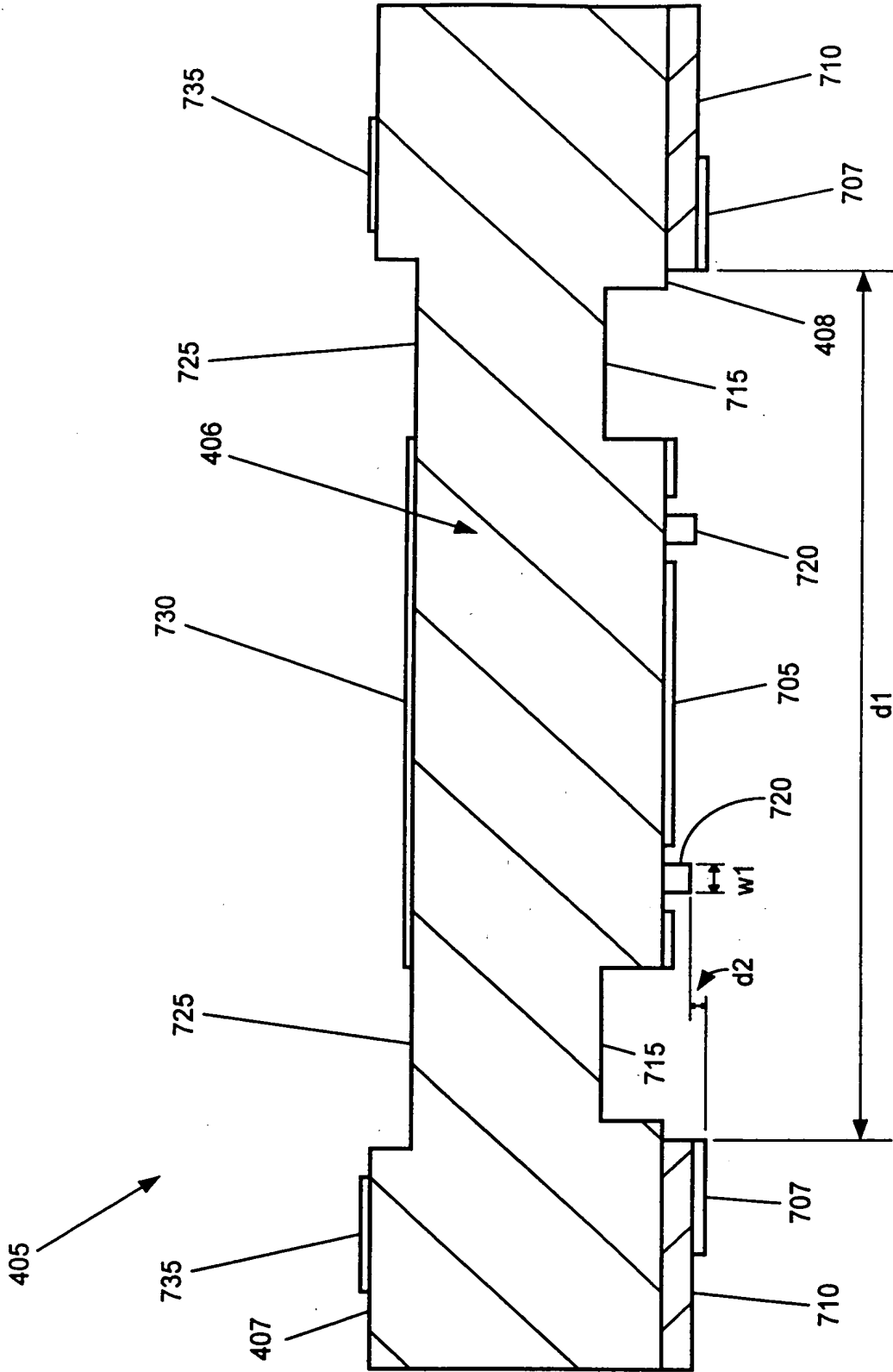


FIGURE 7a



FORM 922-9860

40

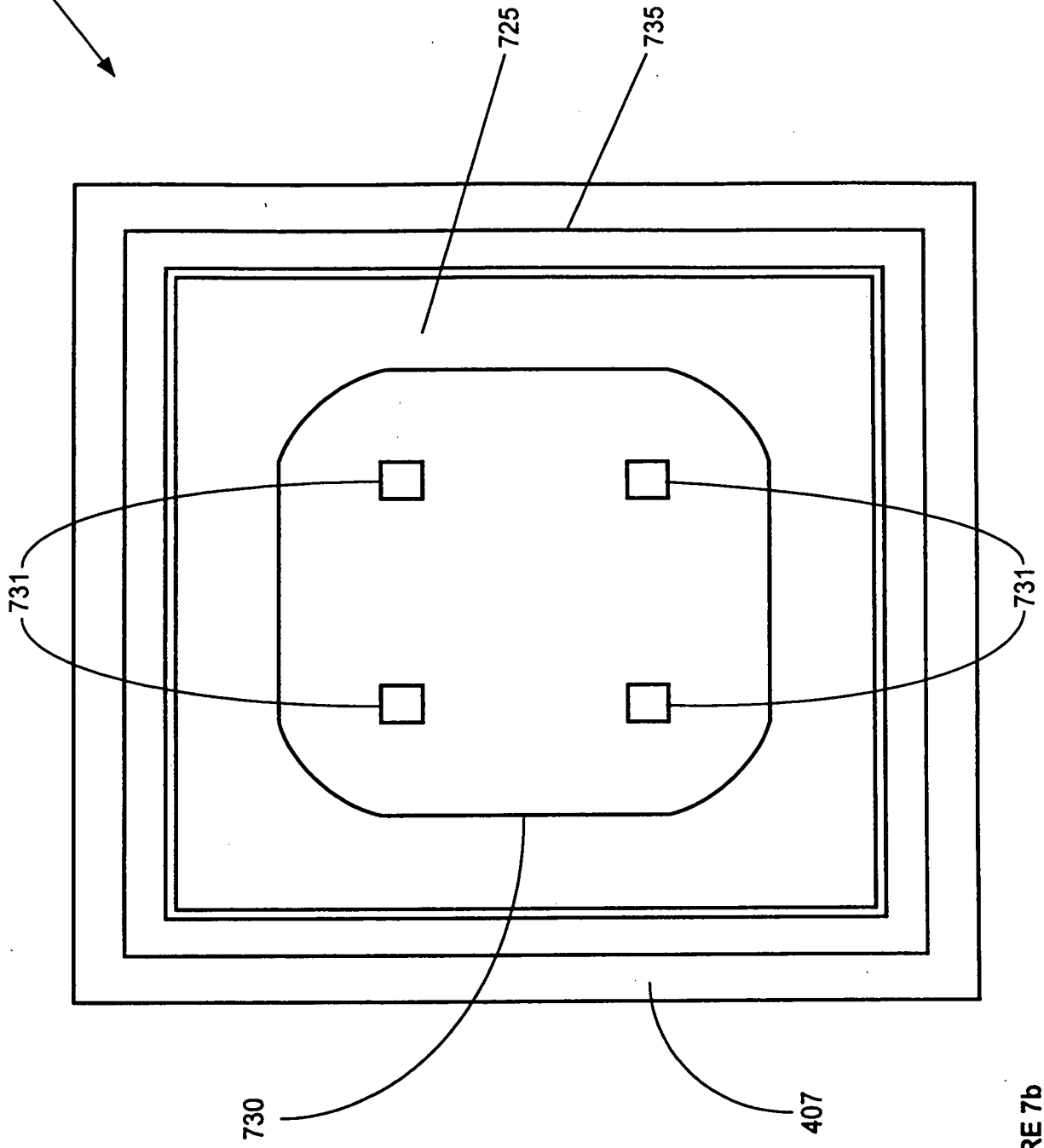


FIGURE 7b

FIG. 7C

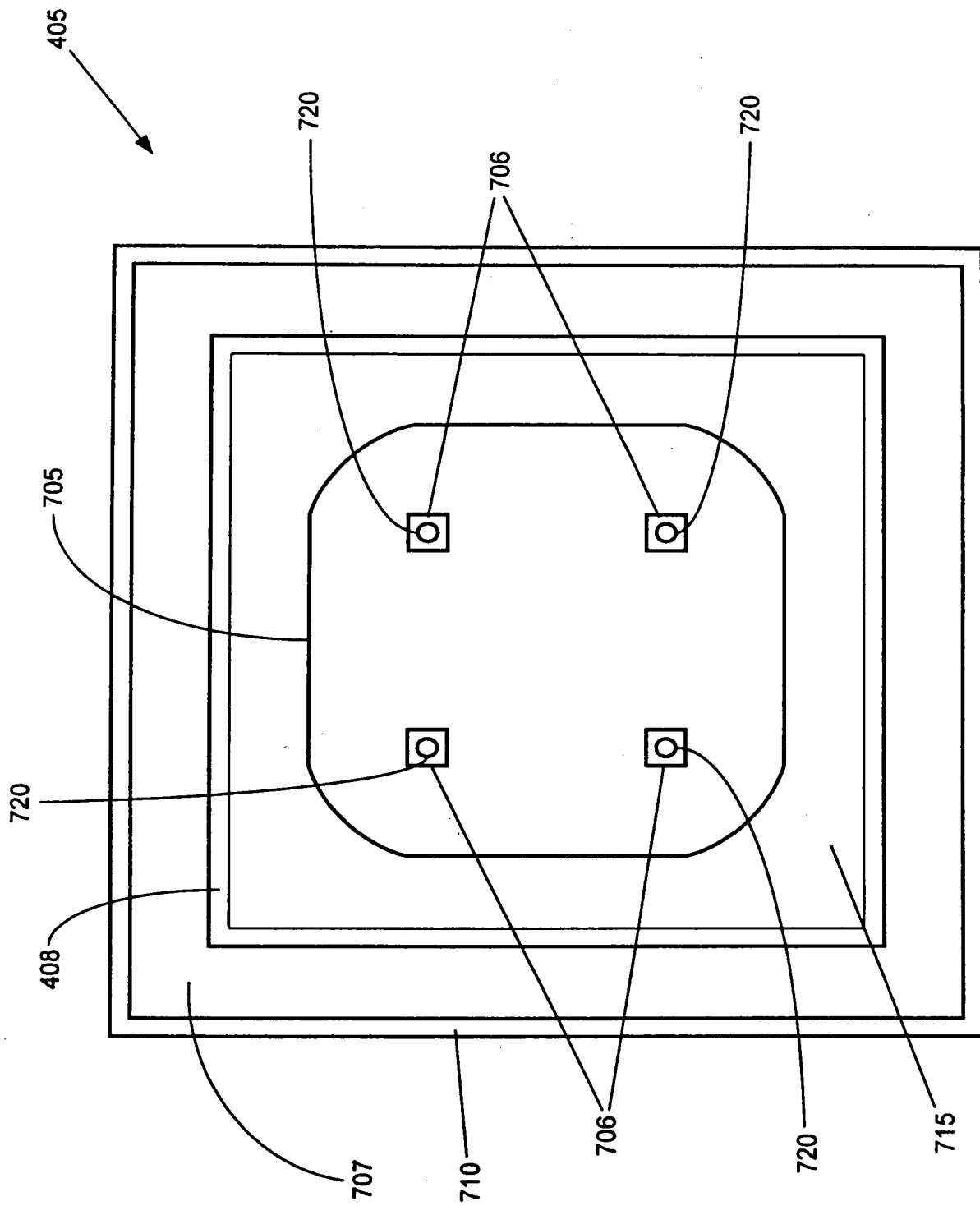


FIGURE 7c

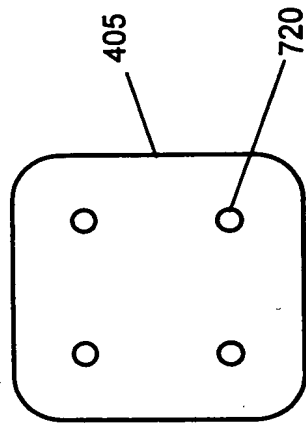


FIGURE 7d

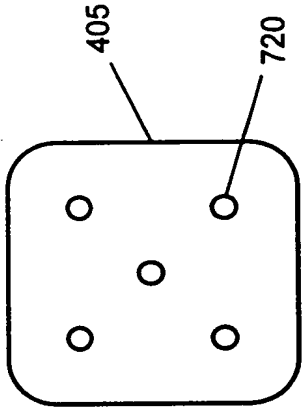


FIGURE 7e

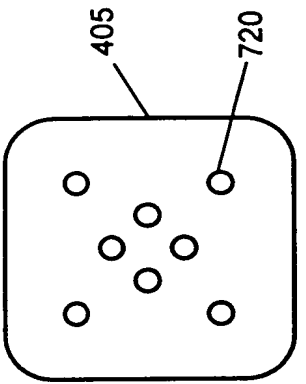


FIGURE 7f

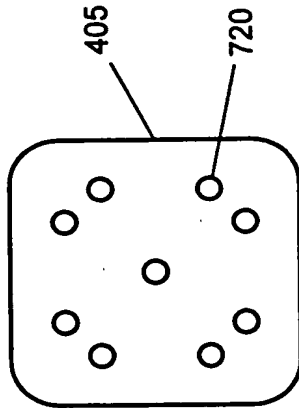


FIGURE 7g

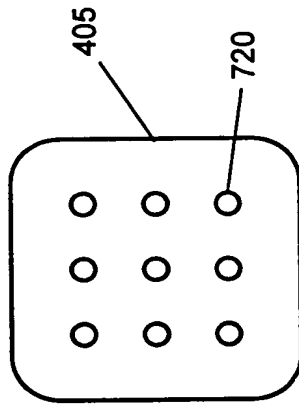


FIGURE 7h

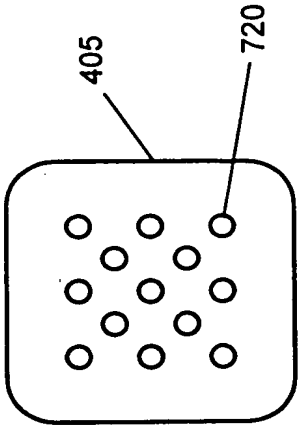


FIGURE 7i

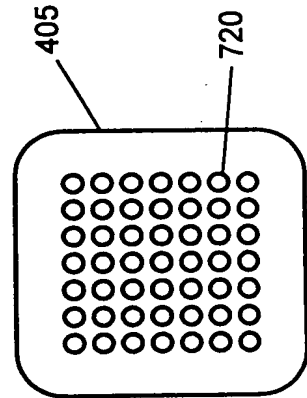


FIGURE 7j

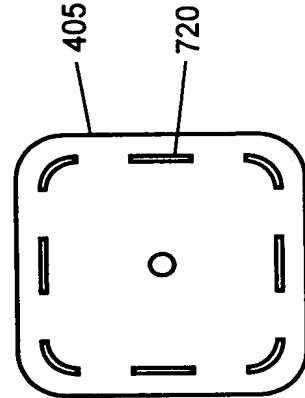


FIGURE 7k

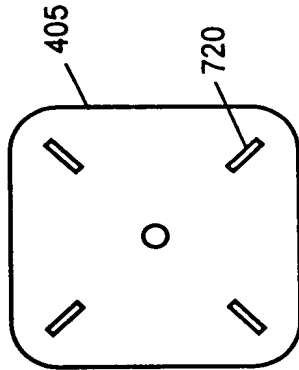


FIGURE 7l

FIG. 50 502980

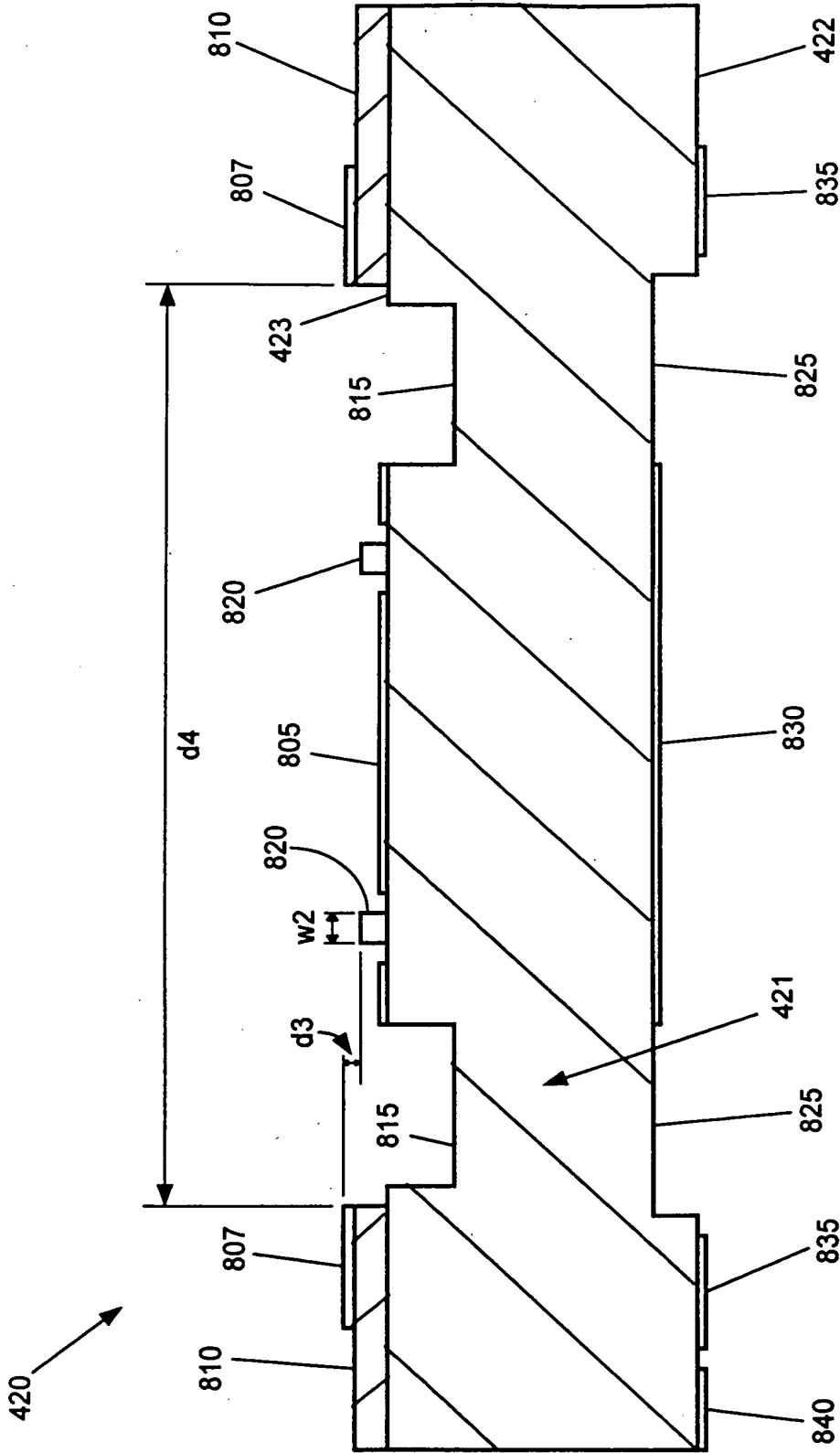


FIGURE 8a

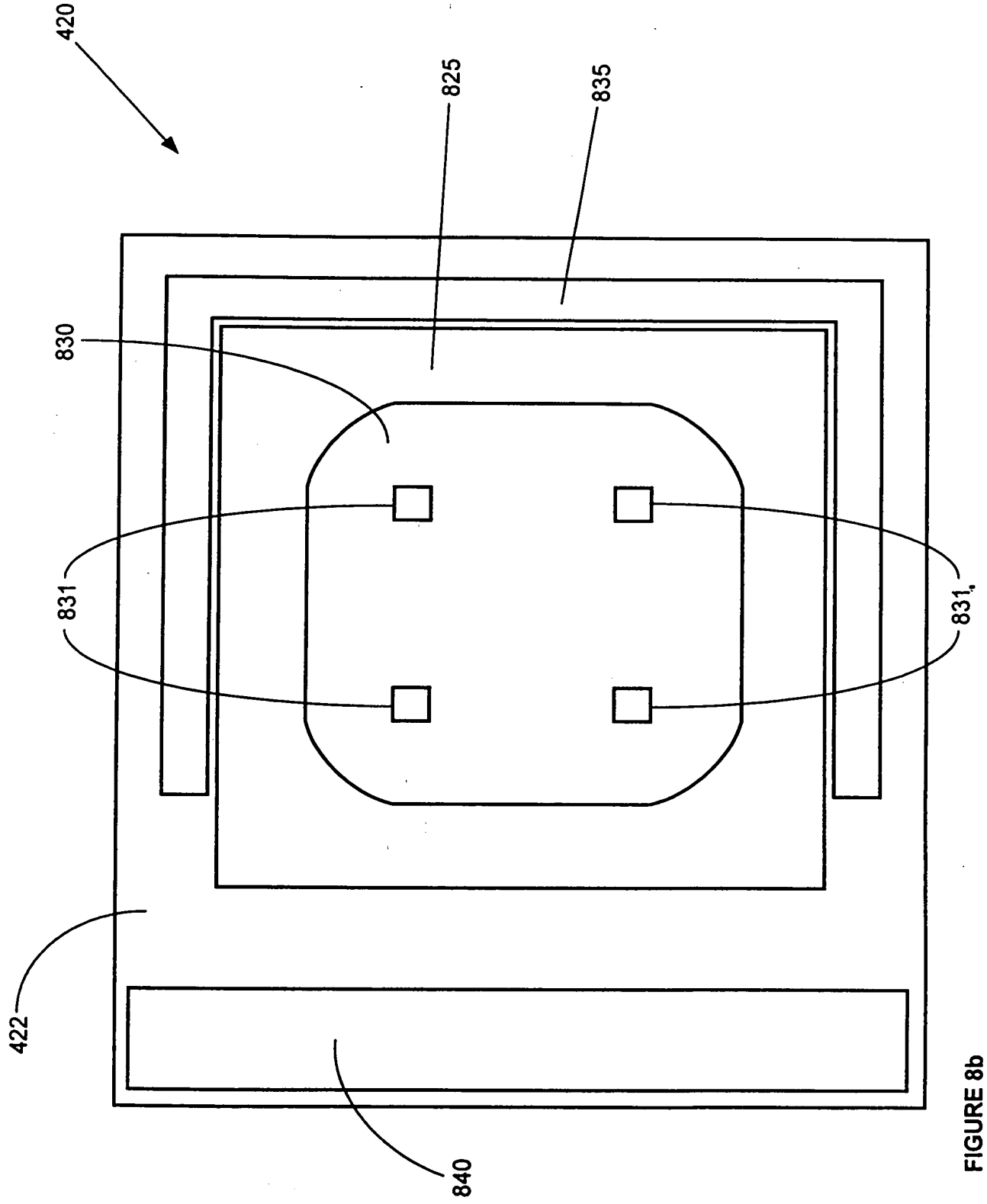


FIGURE 8b

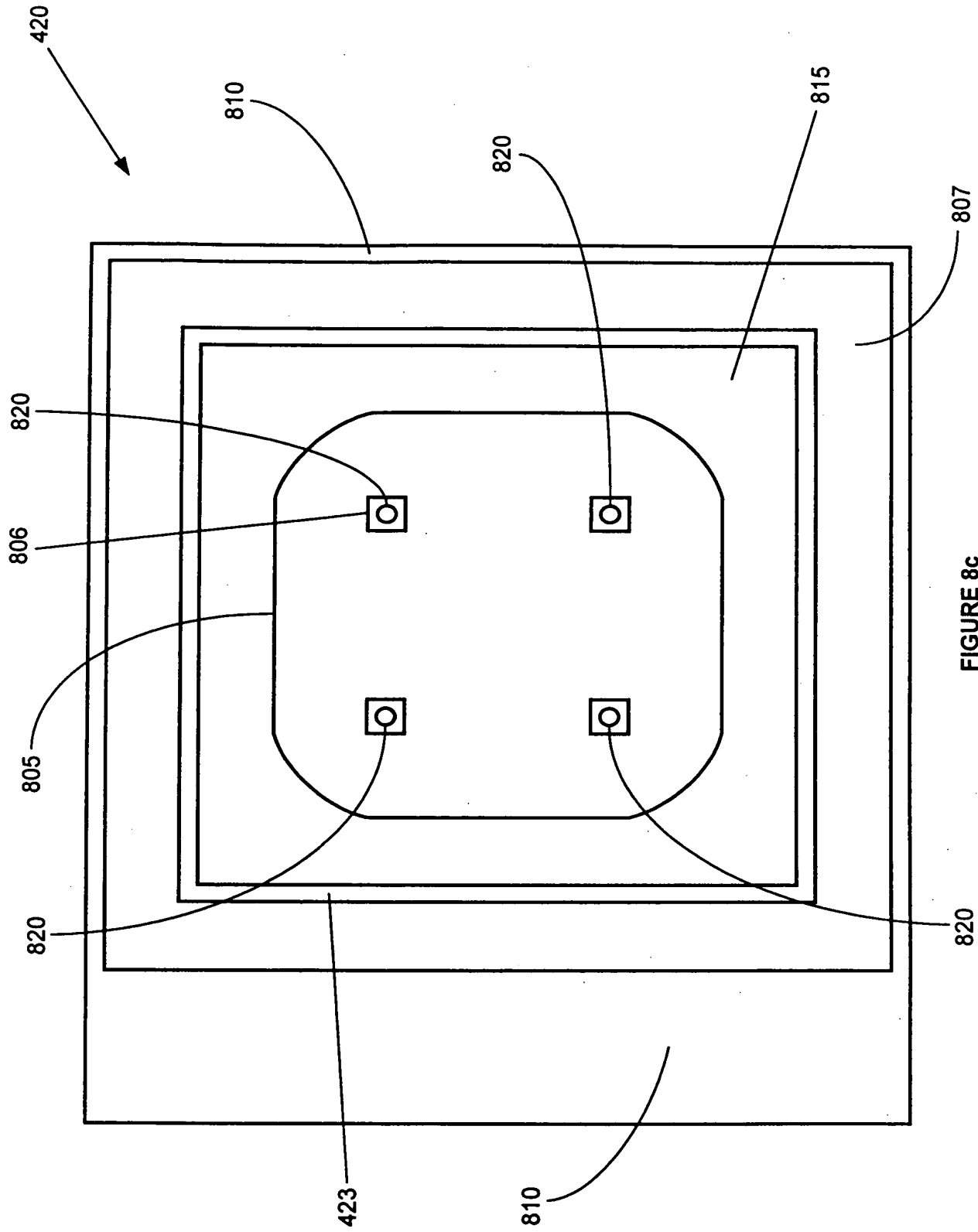


FIGURE 8c

FIG. 8C

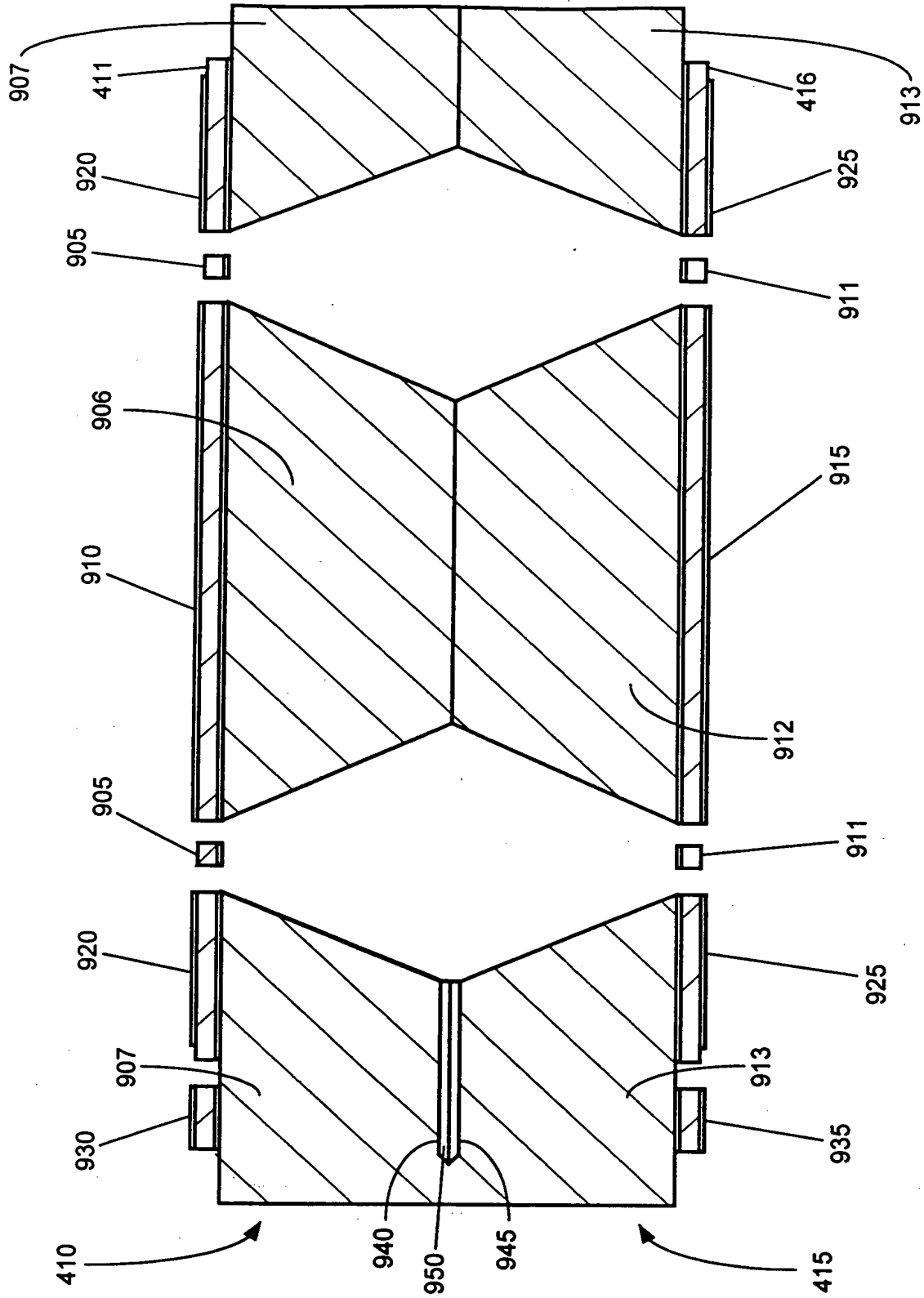


FIGURE 9a

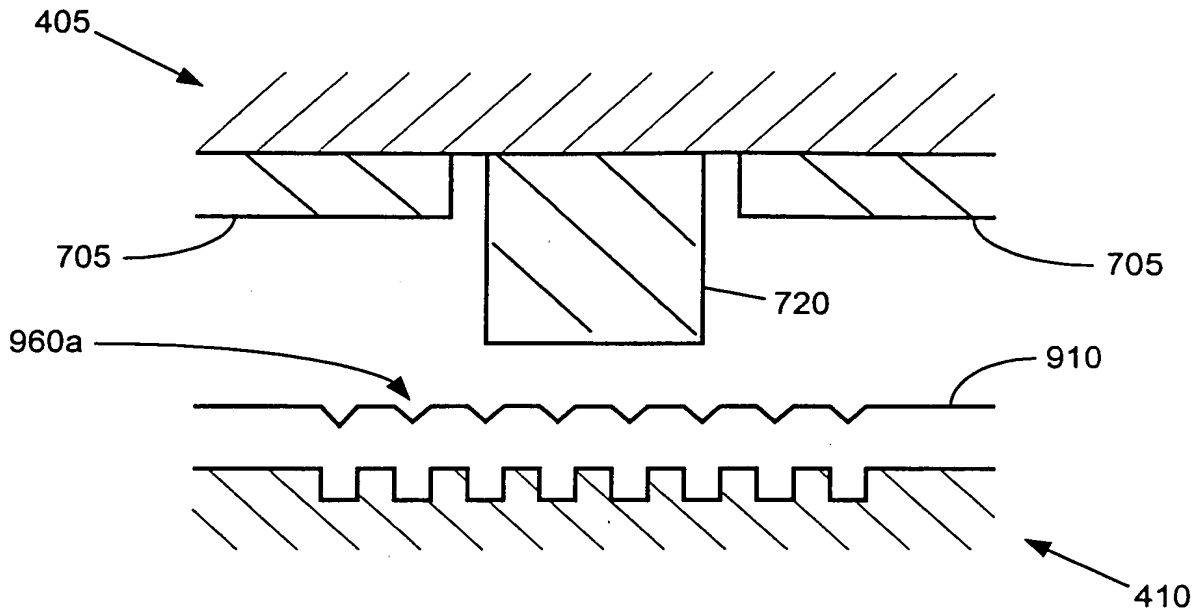


FIGURE 9aa

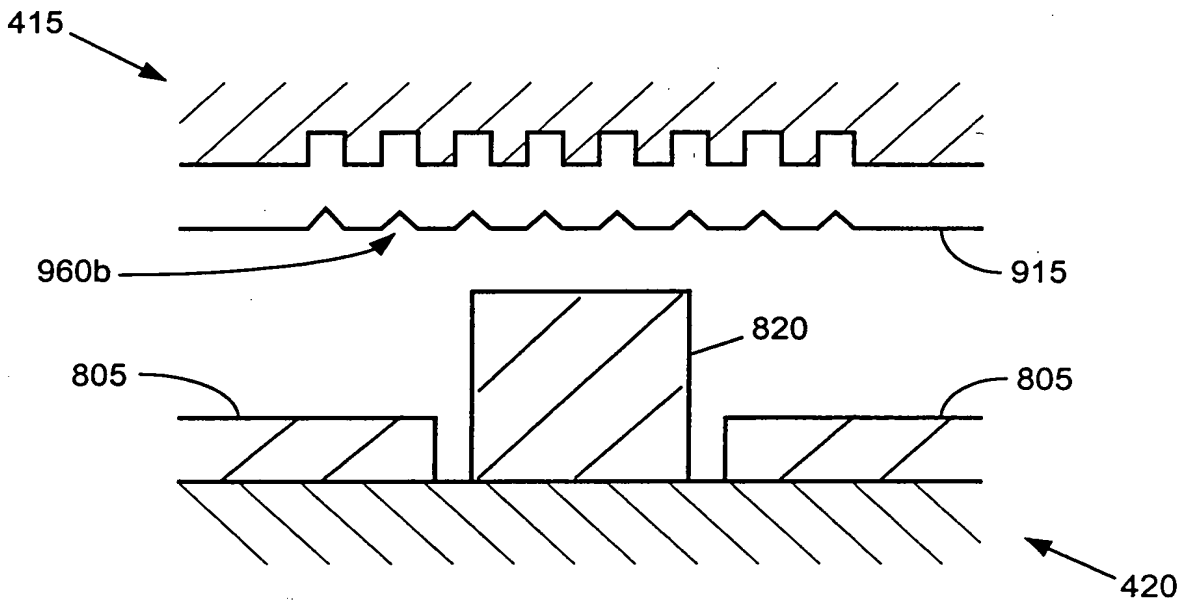


FIGURE 9ab

FIG. 9a



FIG. 9a

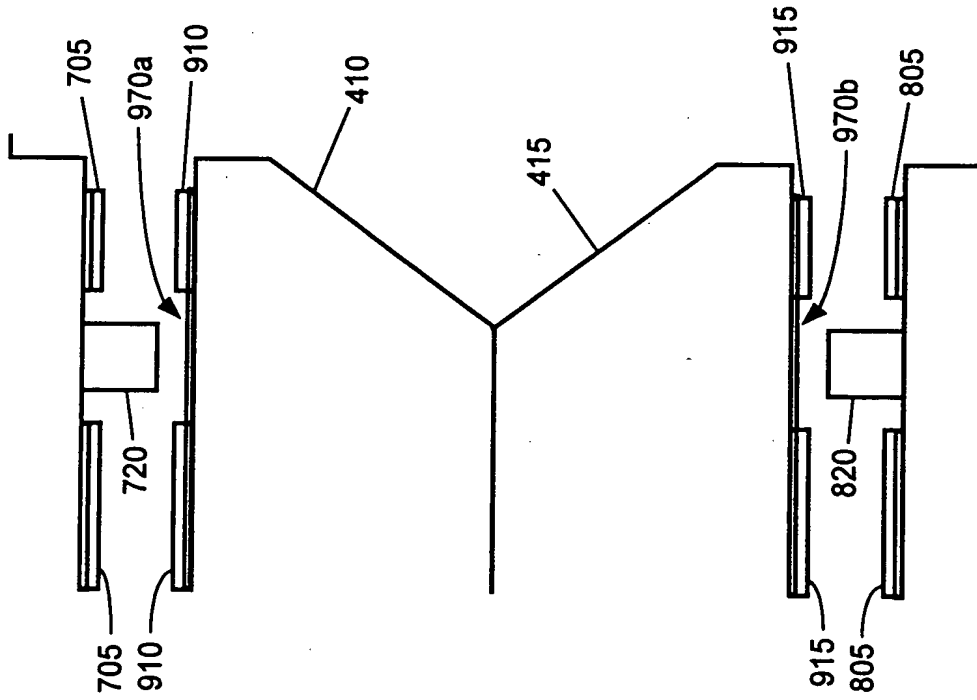


FIGURE 9ac

FIGURE 9ad

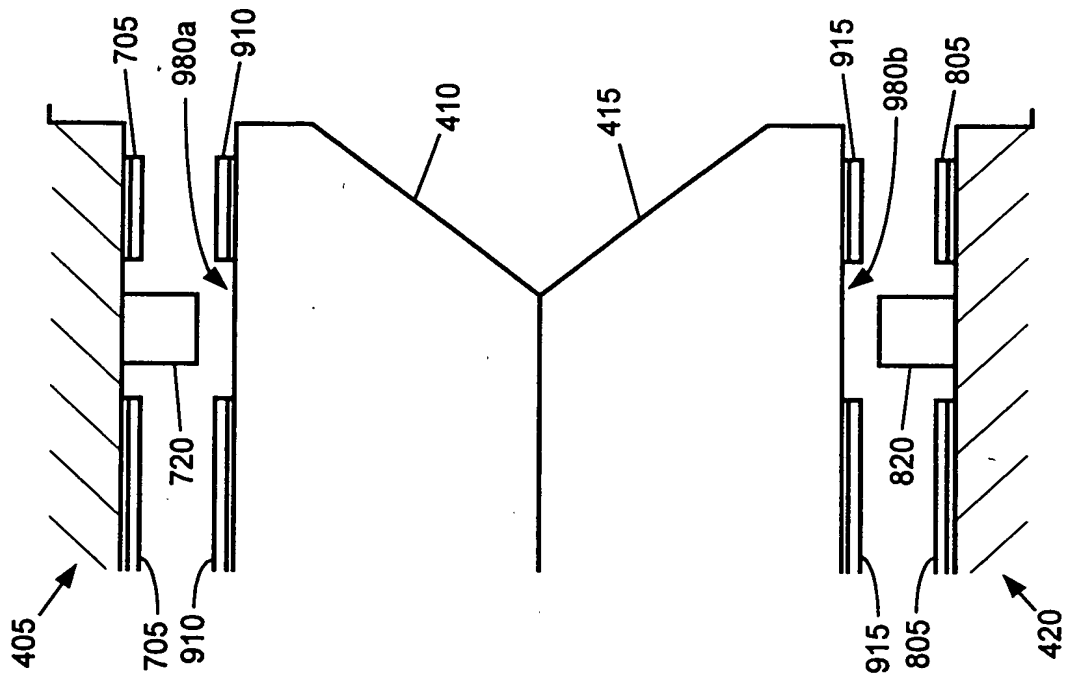


FIGURE 9ad

FIG. 9b

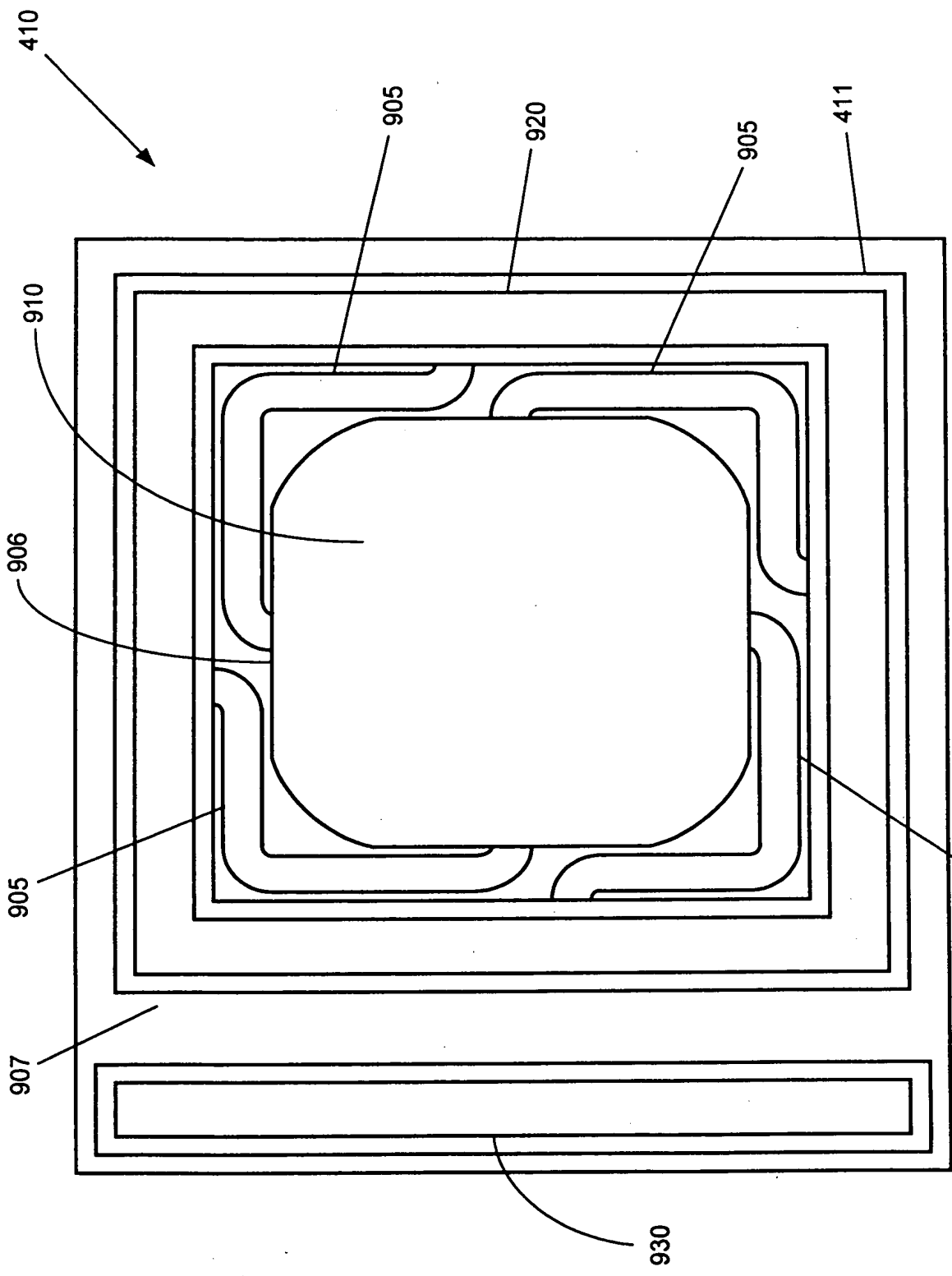


FIGURE 9b

FIG. 9C

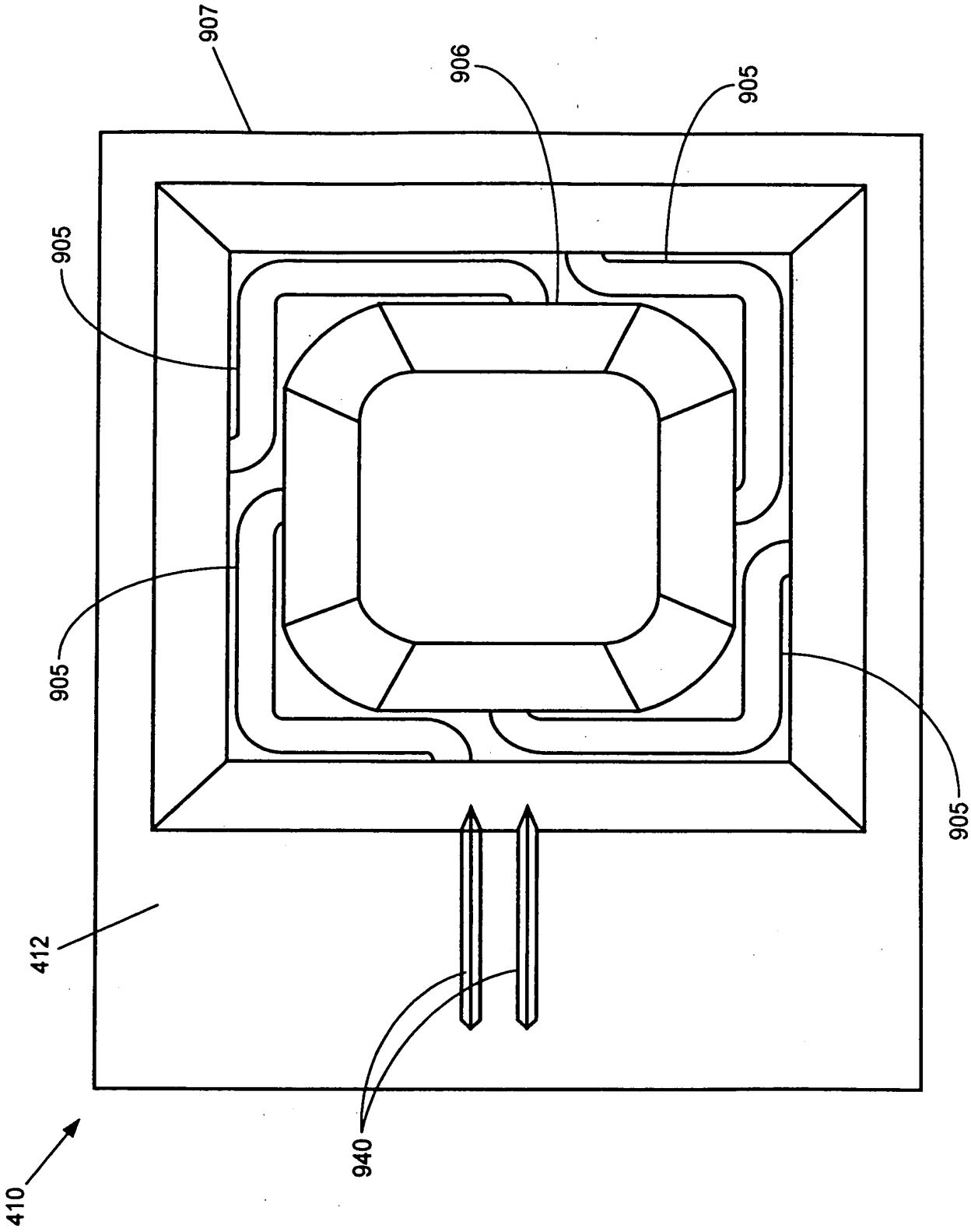


FIGURE 9c

FIG. 9d

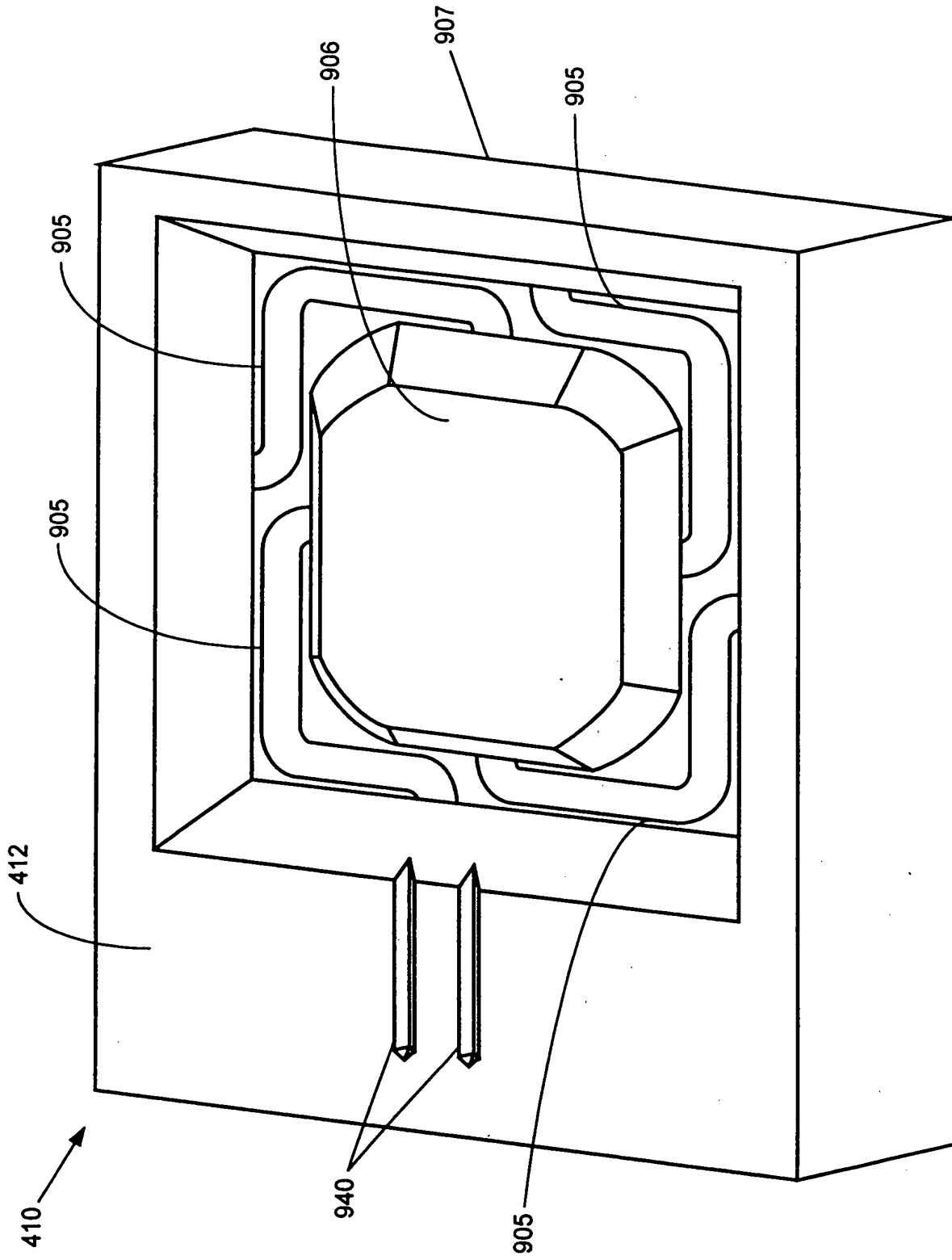


FIGURE 9d

FIG. 9e

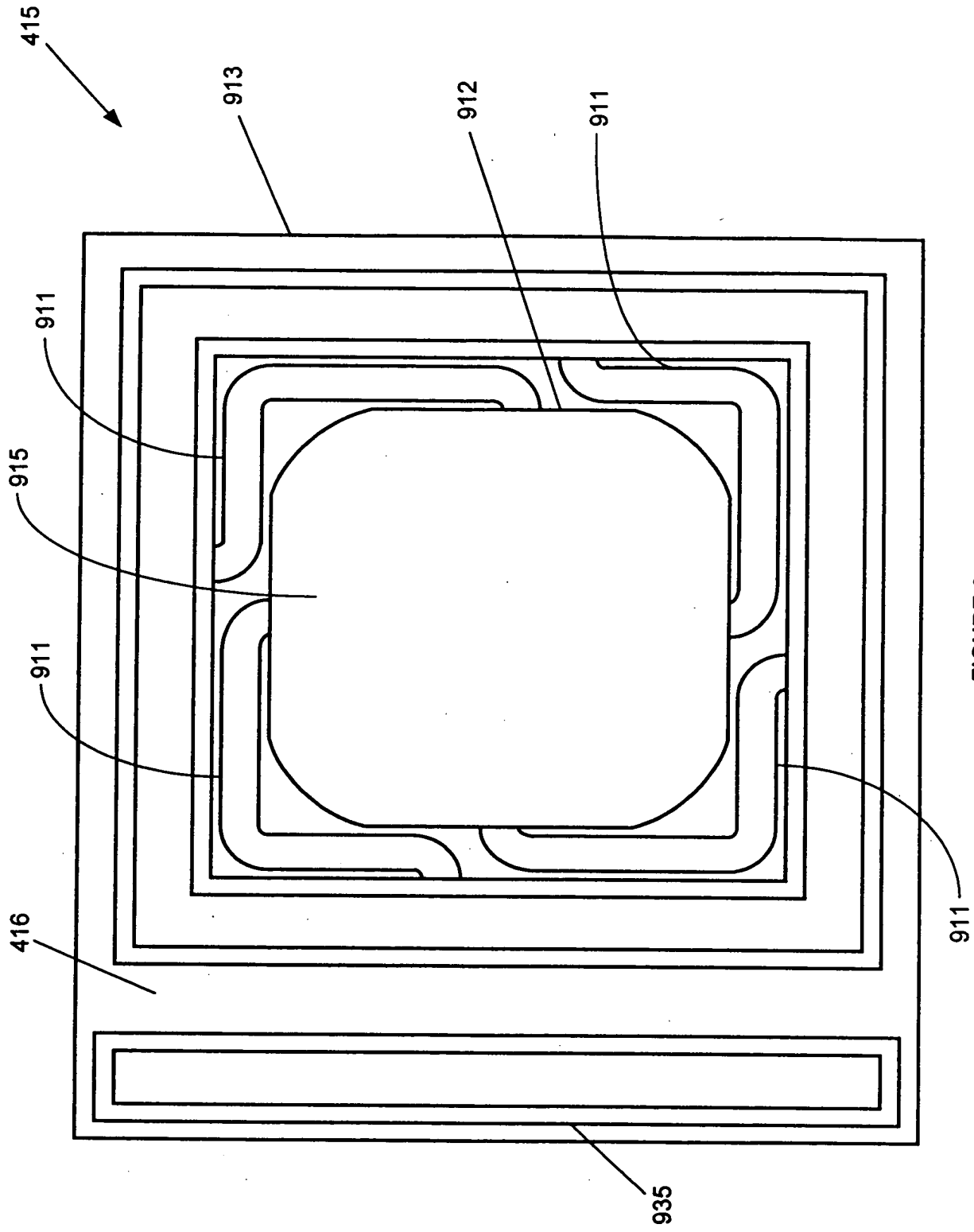


FIGURE 9e

FOR 922360

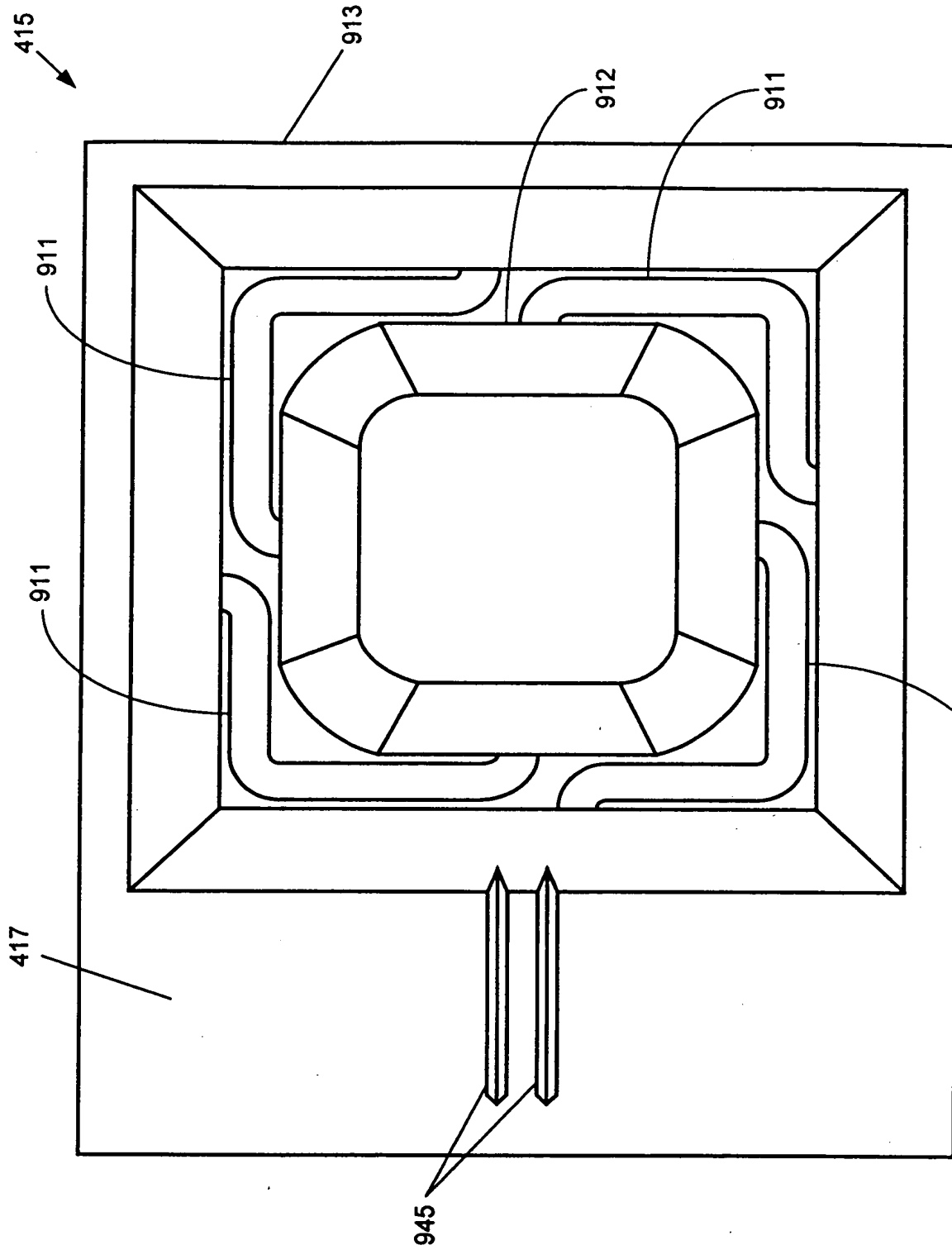


FIGURE 9f

FIG. 99

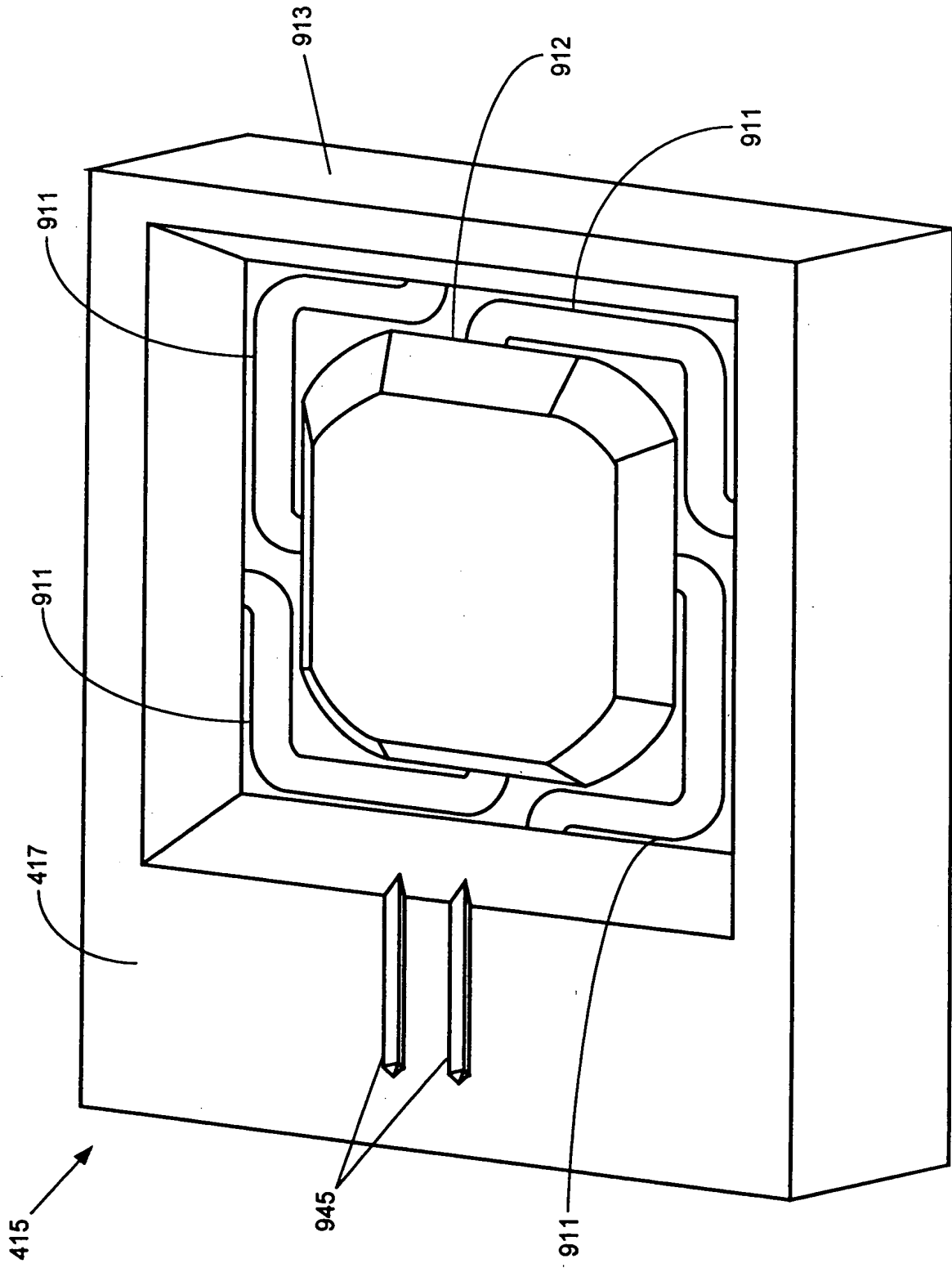


FIGURE 99



FIG. 10

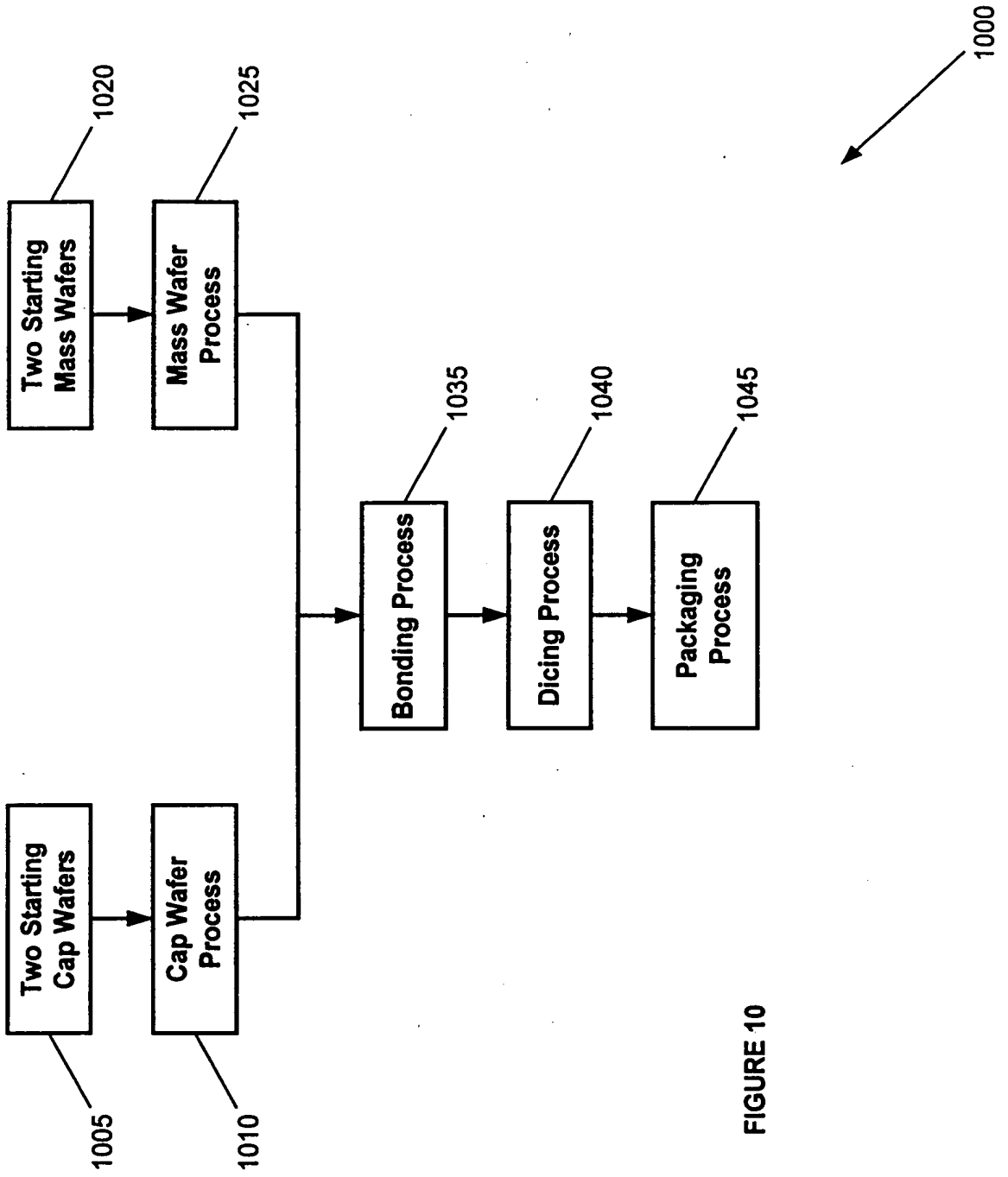
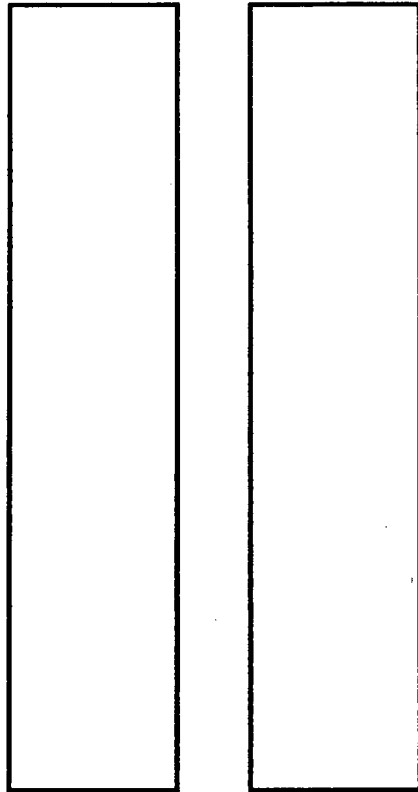



FIGURE 10

1005



1105a



1105b



FIGURE 11a

FIGURE 11a

FIG. 11b

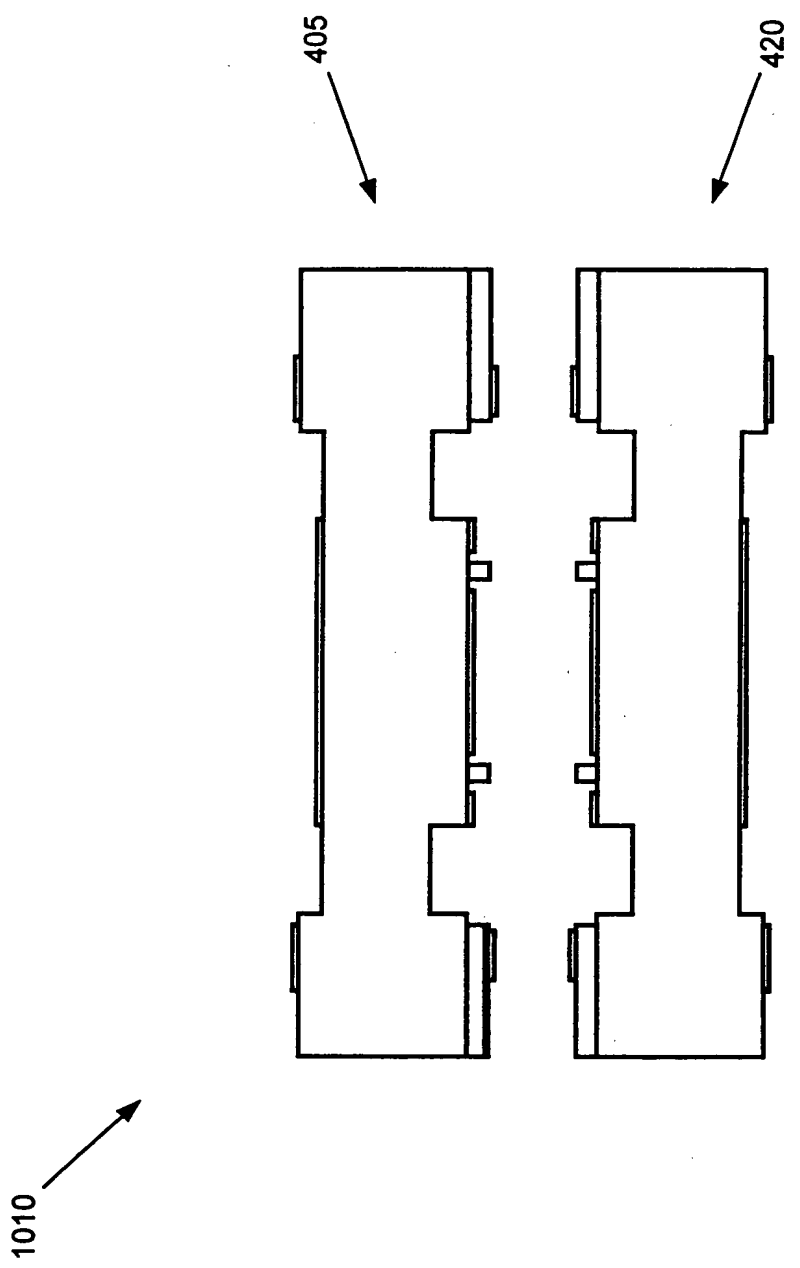


FIGURE 11b

1020

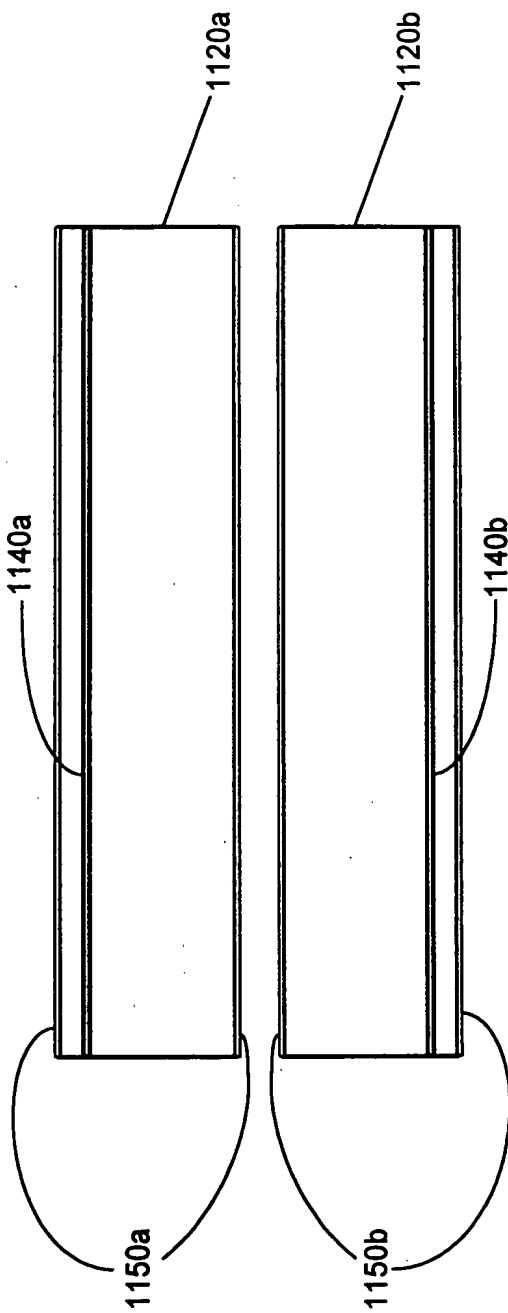


FIGURE 11c

FIG. 11d

1120a

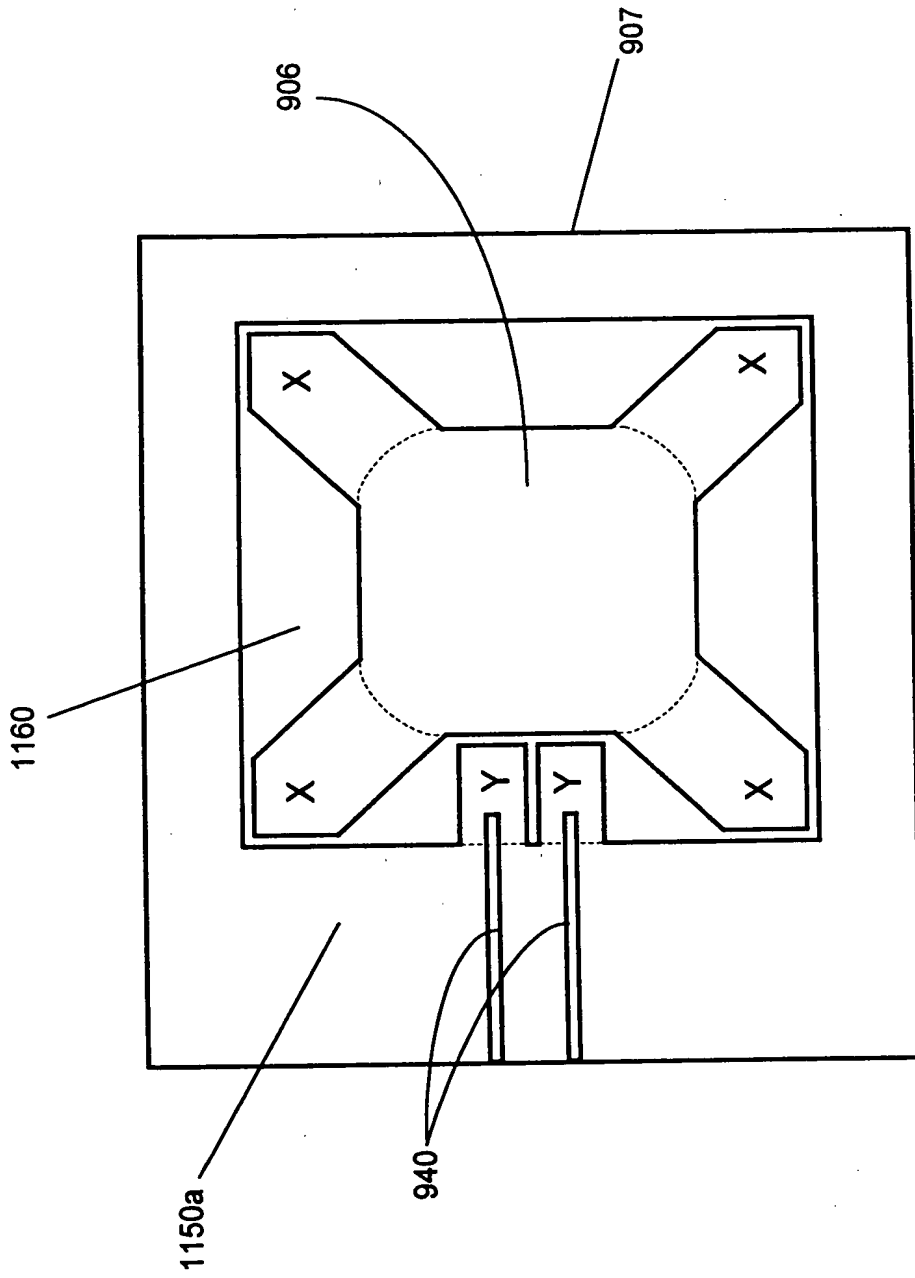


FIGURE 11d

FIG. 11e

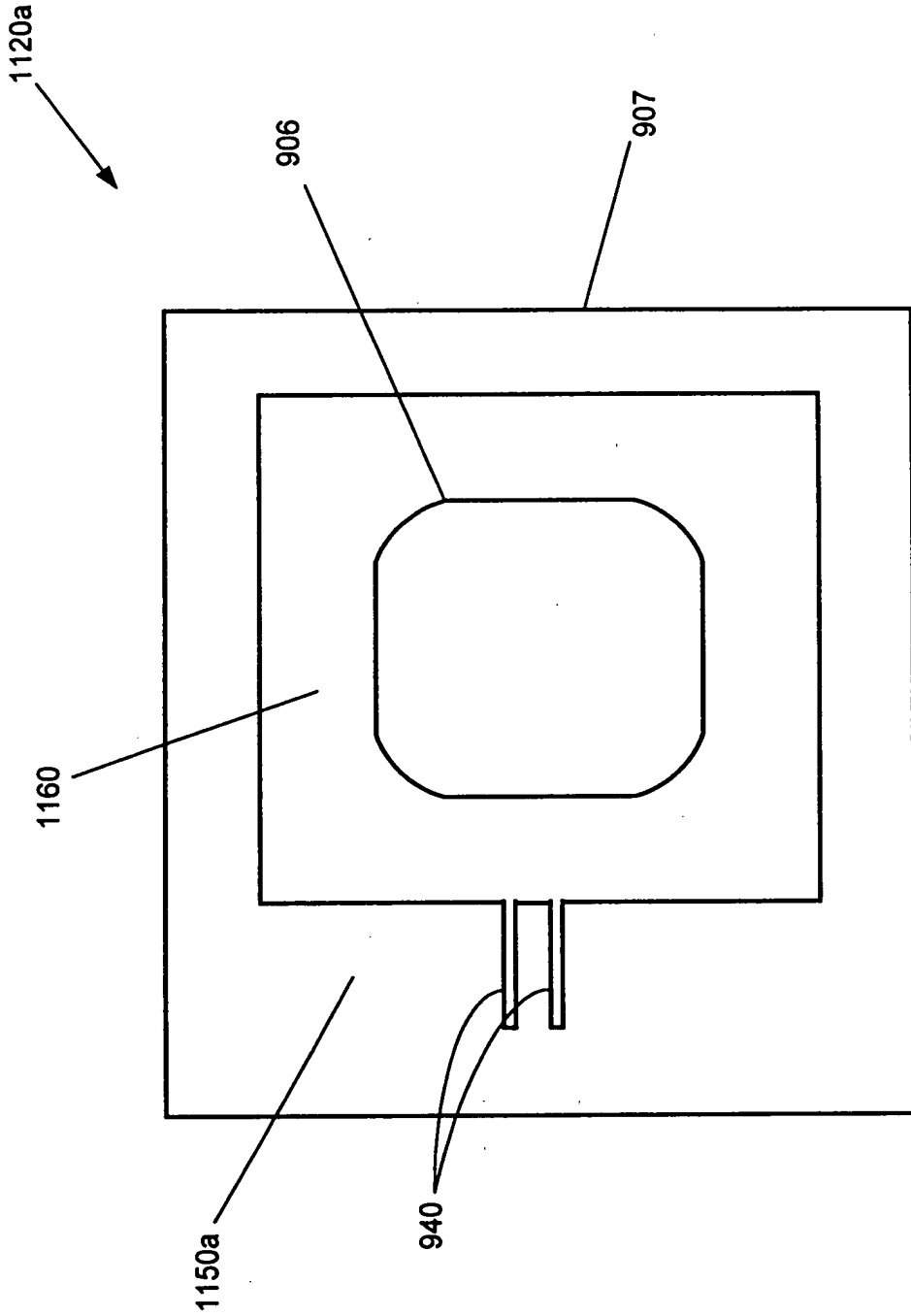


FIGURE 11e

FIG. 11f

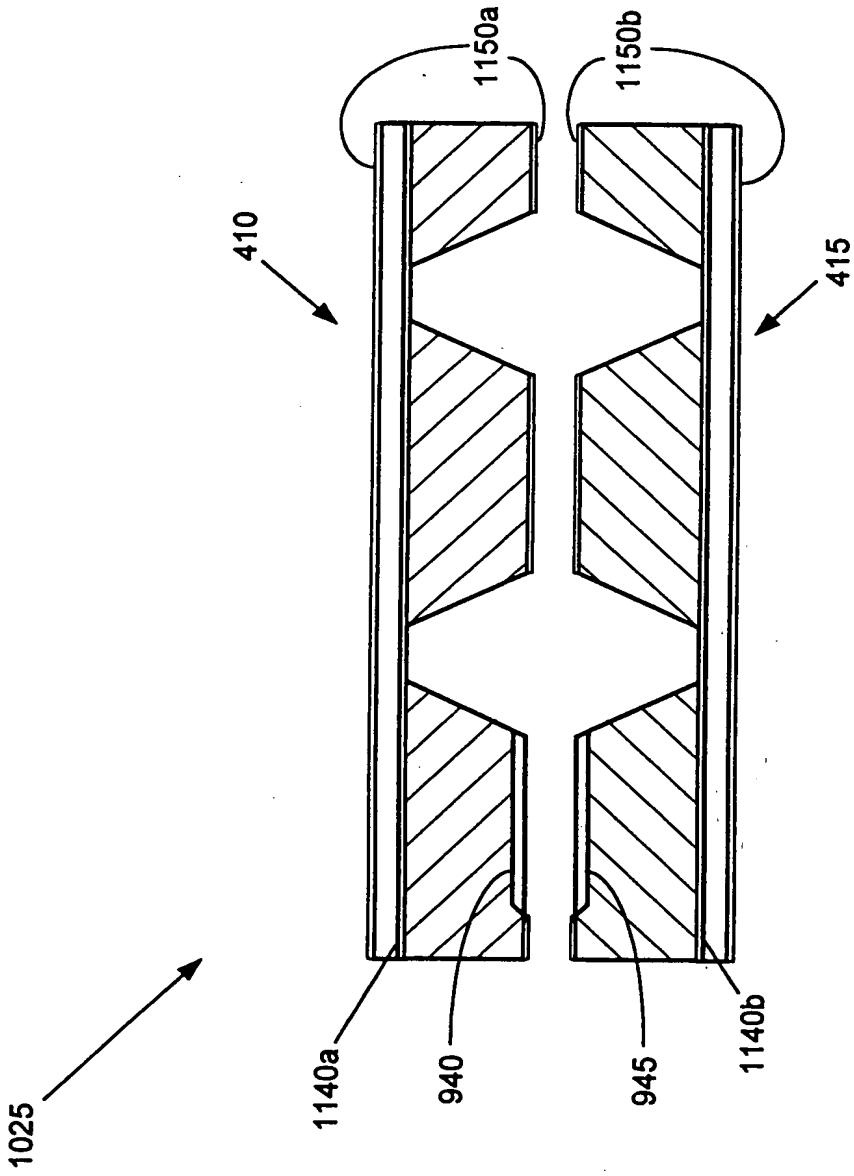


FIGURE 11f

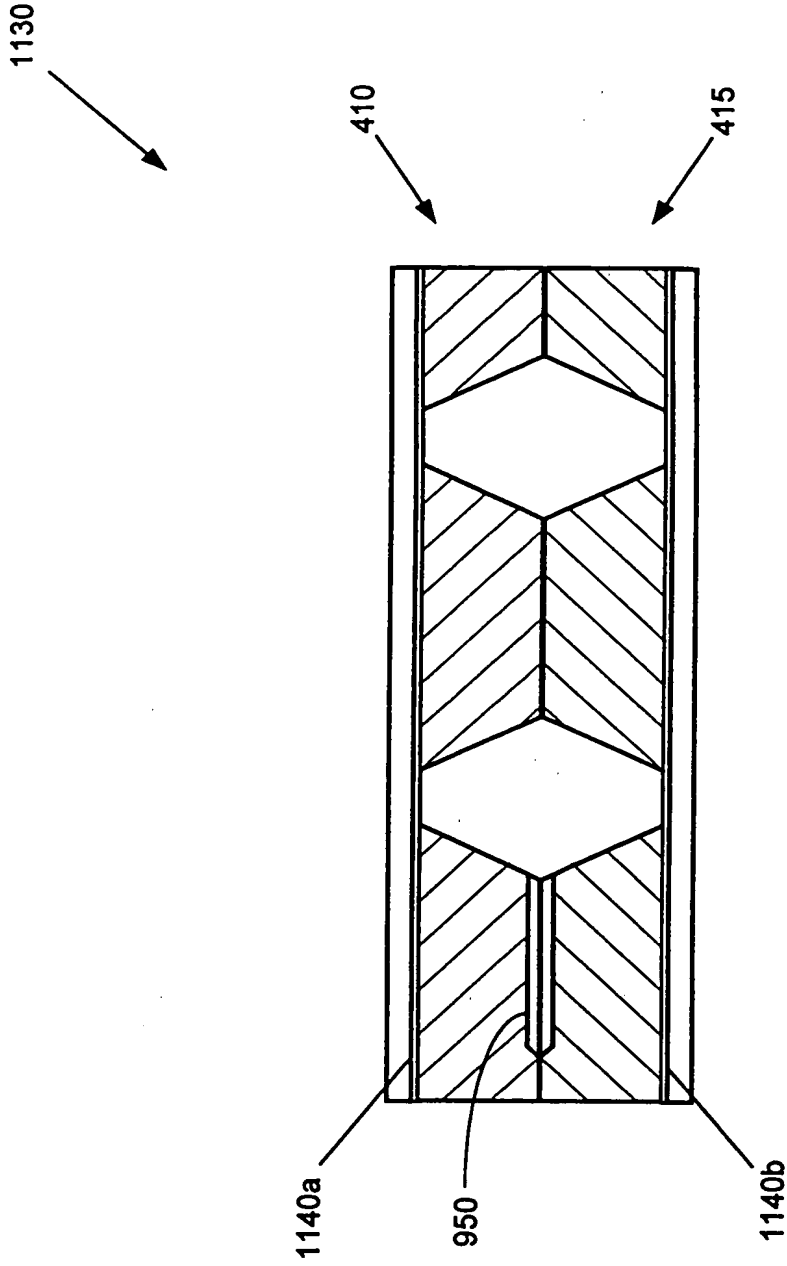


FIGURE 11g

FIG. 11g



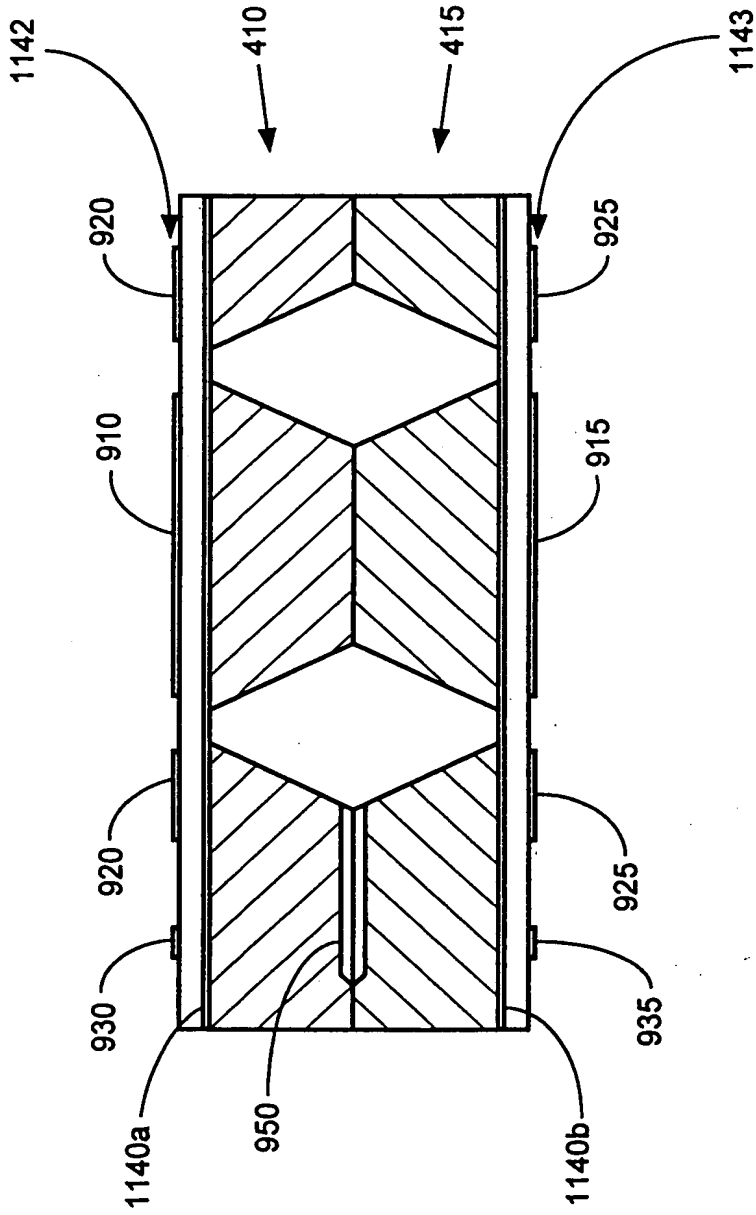


FIGURE 11h

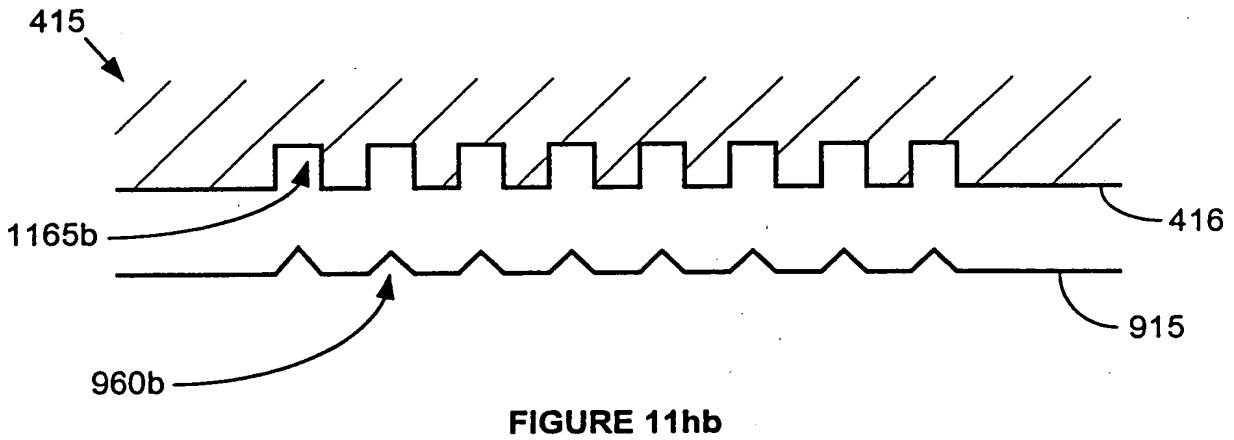
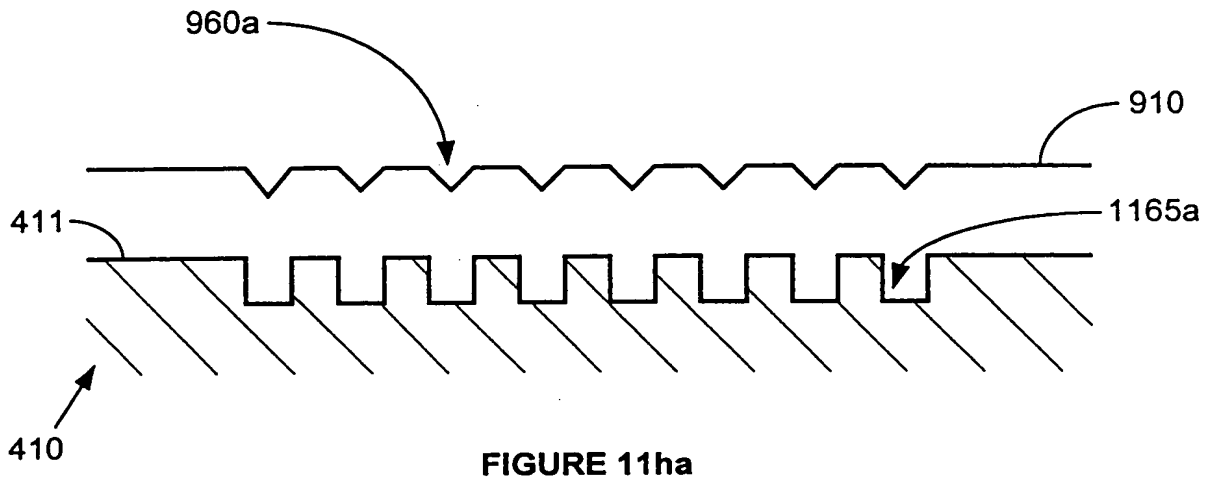


FIGURE 11ha

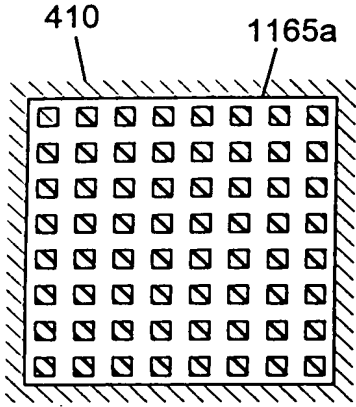


FIGURE 11hc

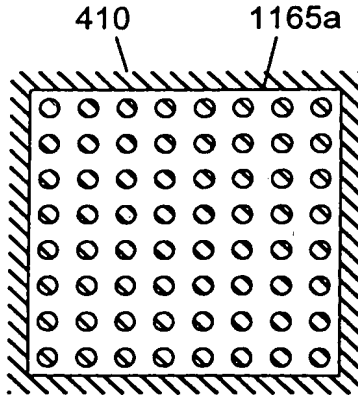


FIGURE 11hd

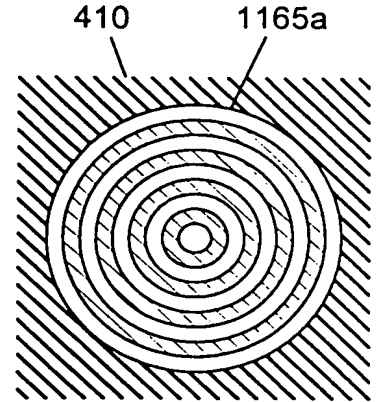


FIGURE 11he

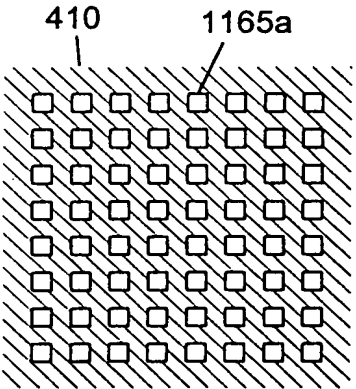


FIGURE 11hf

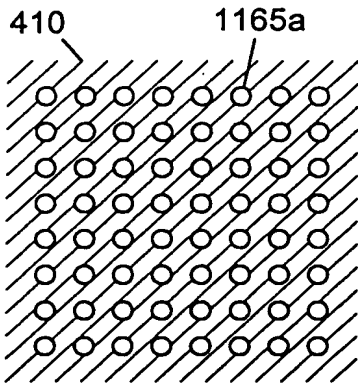


FIGURE 11hg

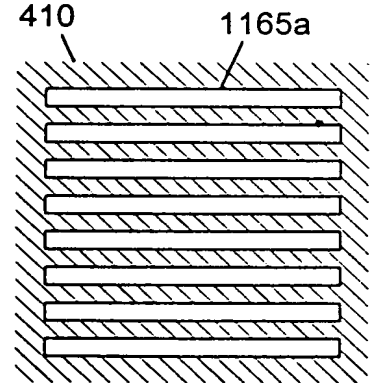


FIGURE 11hh

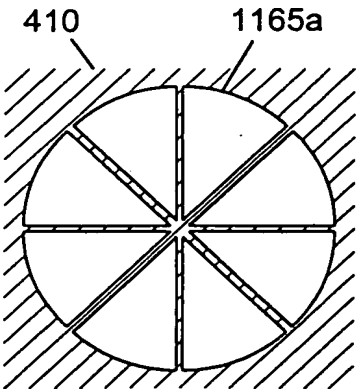


FIGURE 11hi

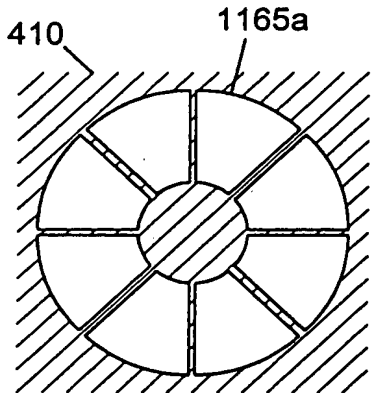


FIGURE 11hj

FIGURE 11hc

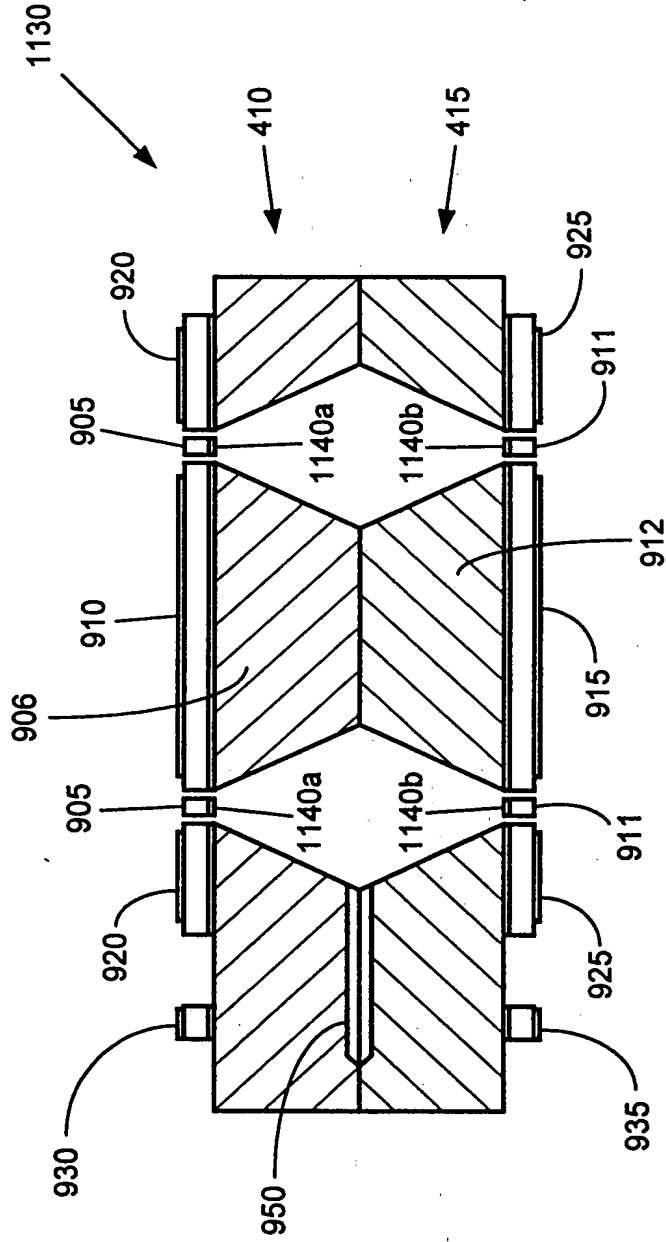


FIGURE 11i

10650" 362960

FIG. 11j

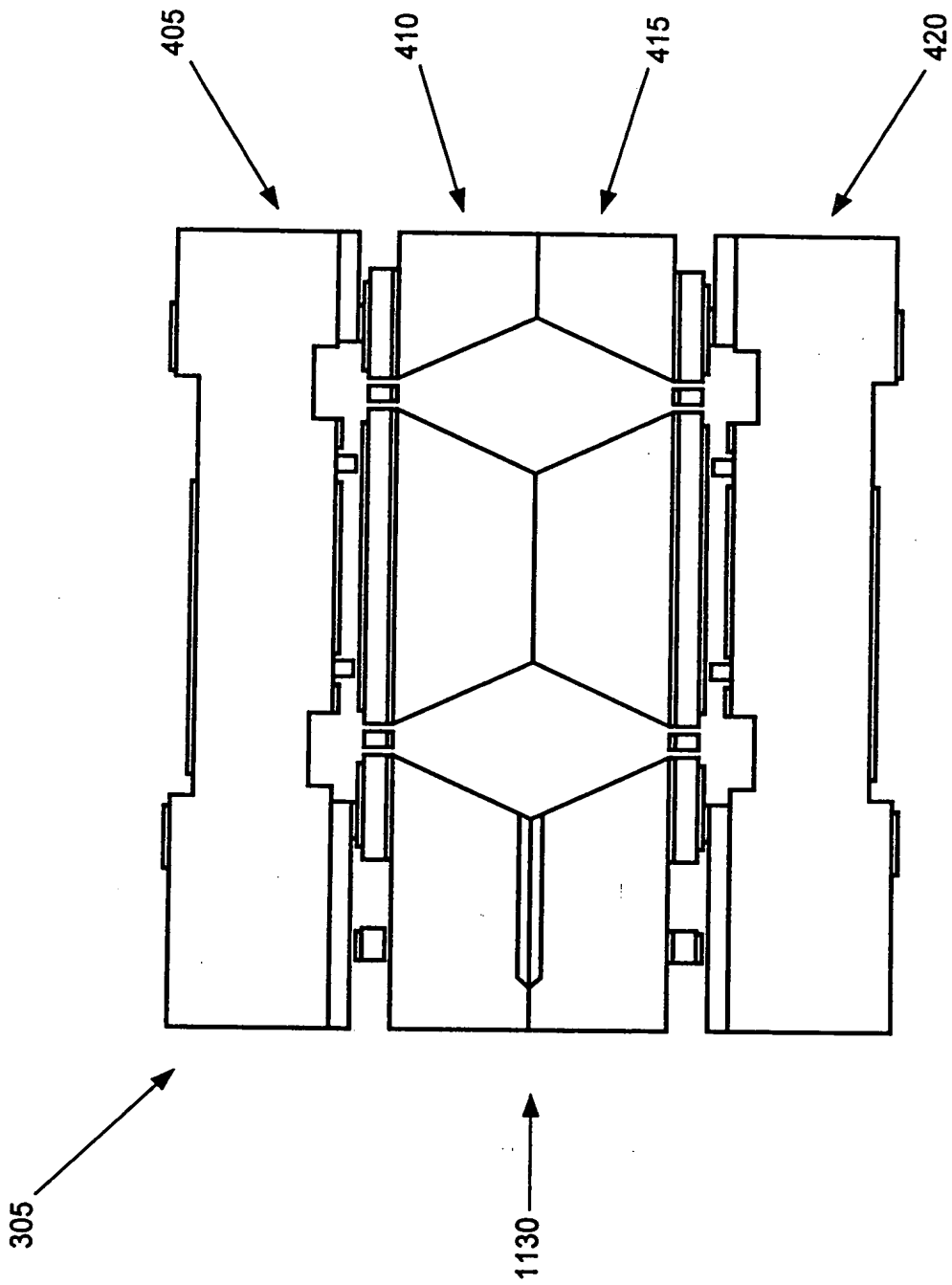


FIGURE 11j

FIG. 12a

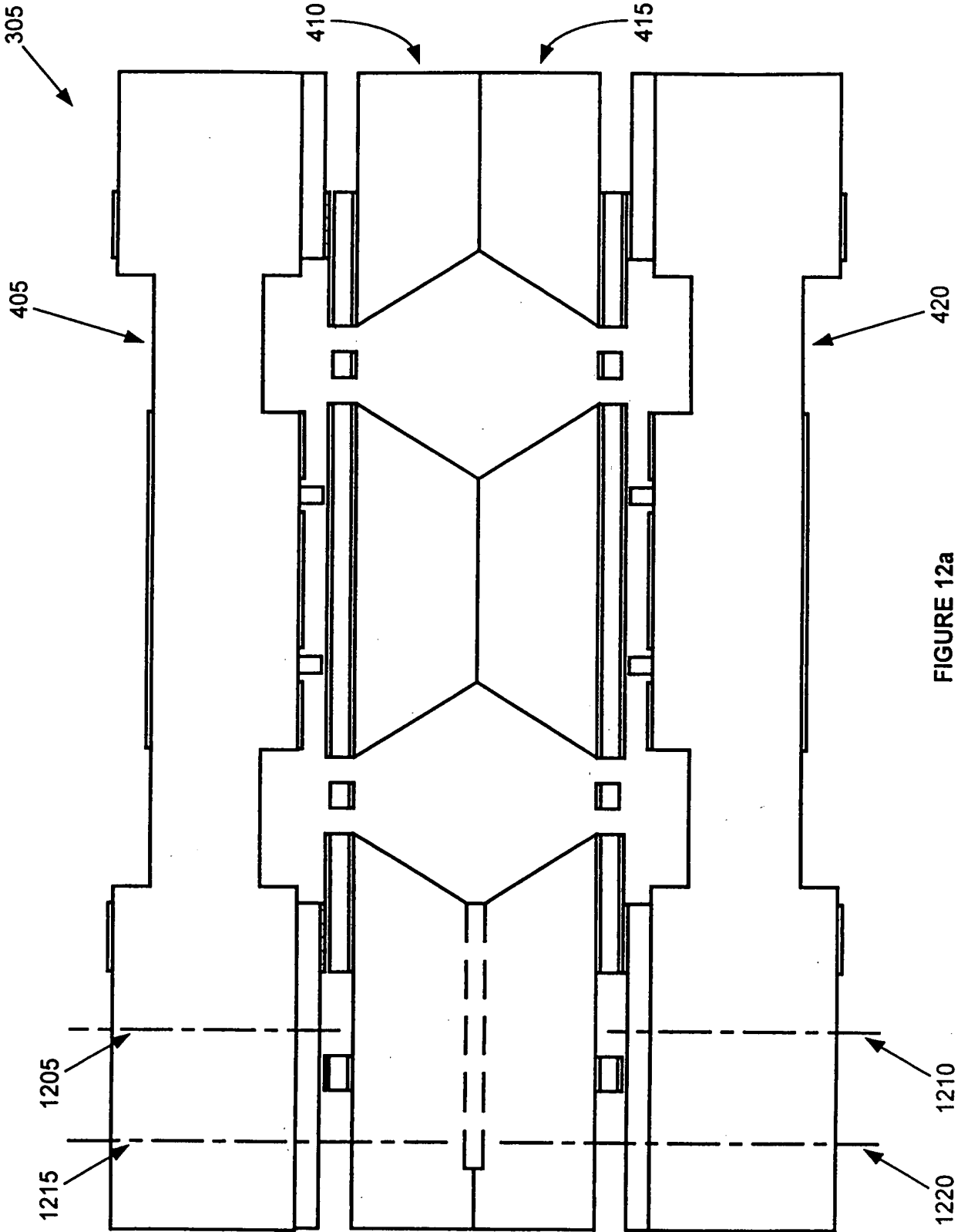


FIGURE 12a

FIG. 12b

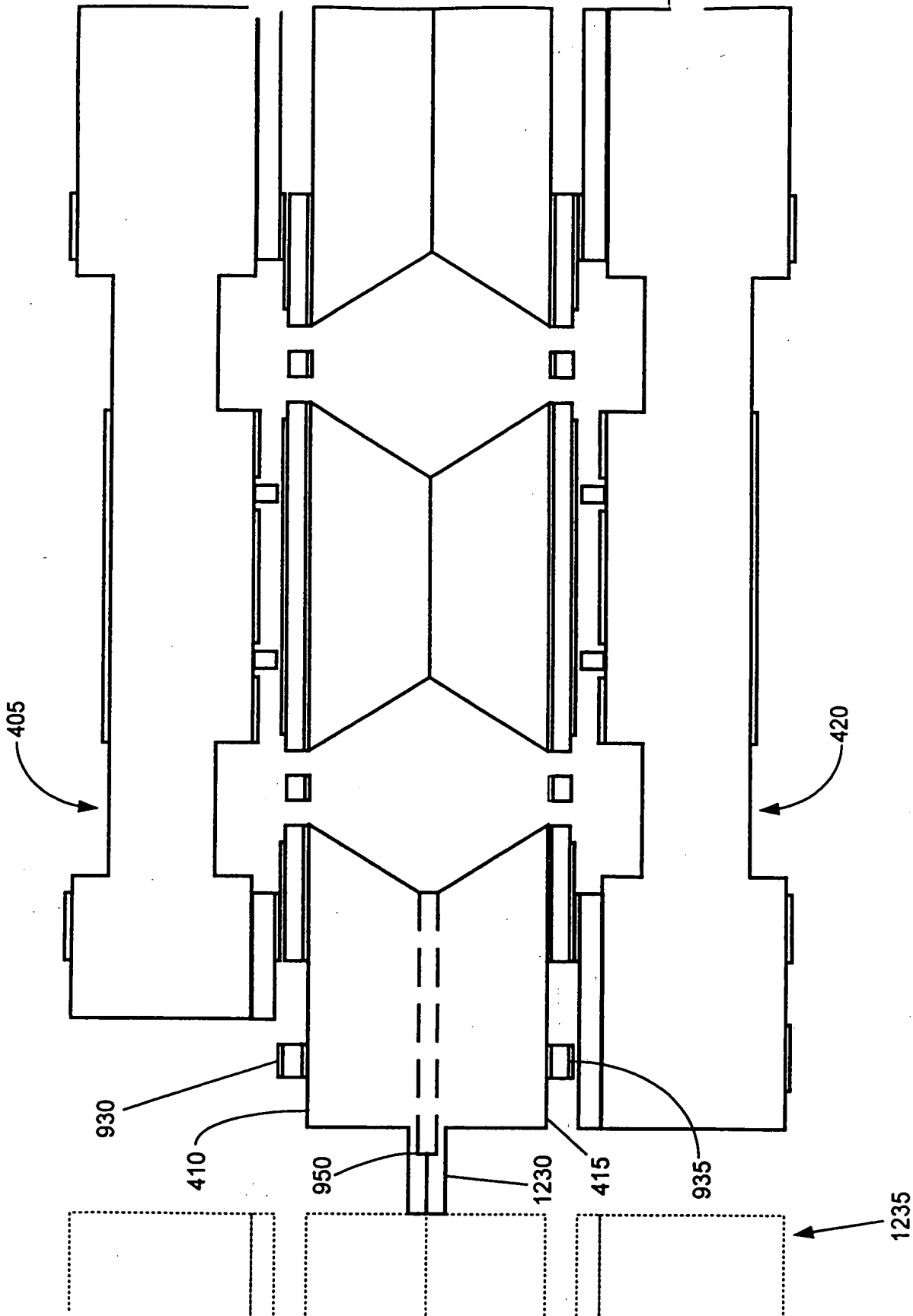


FIGURE 12b

FIG. 12C

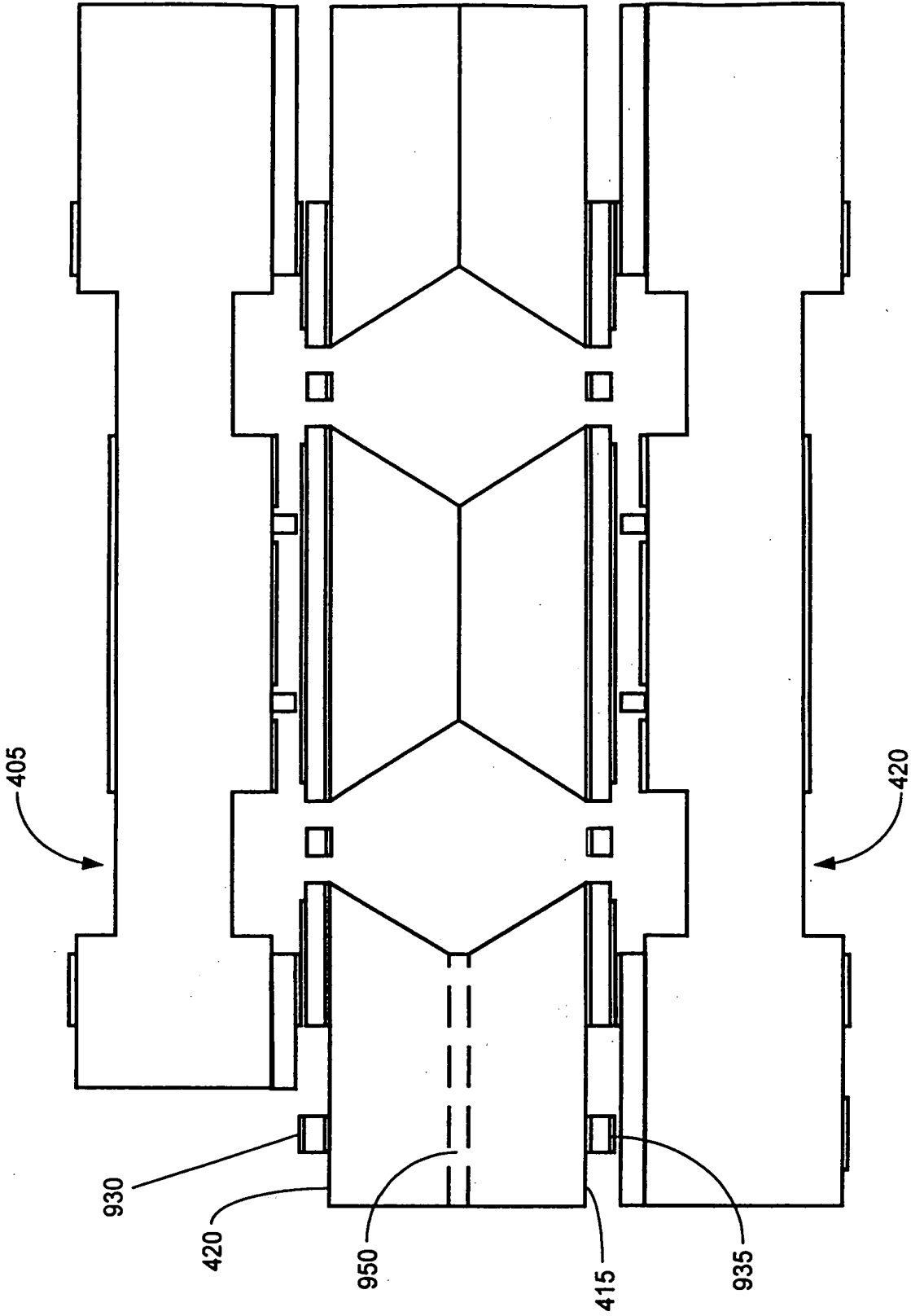


FIGURE 12c



TABLE 50 562560

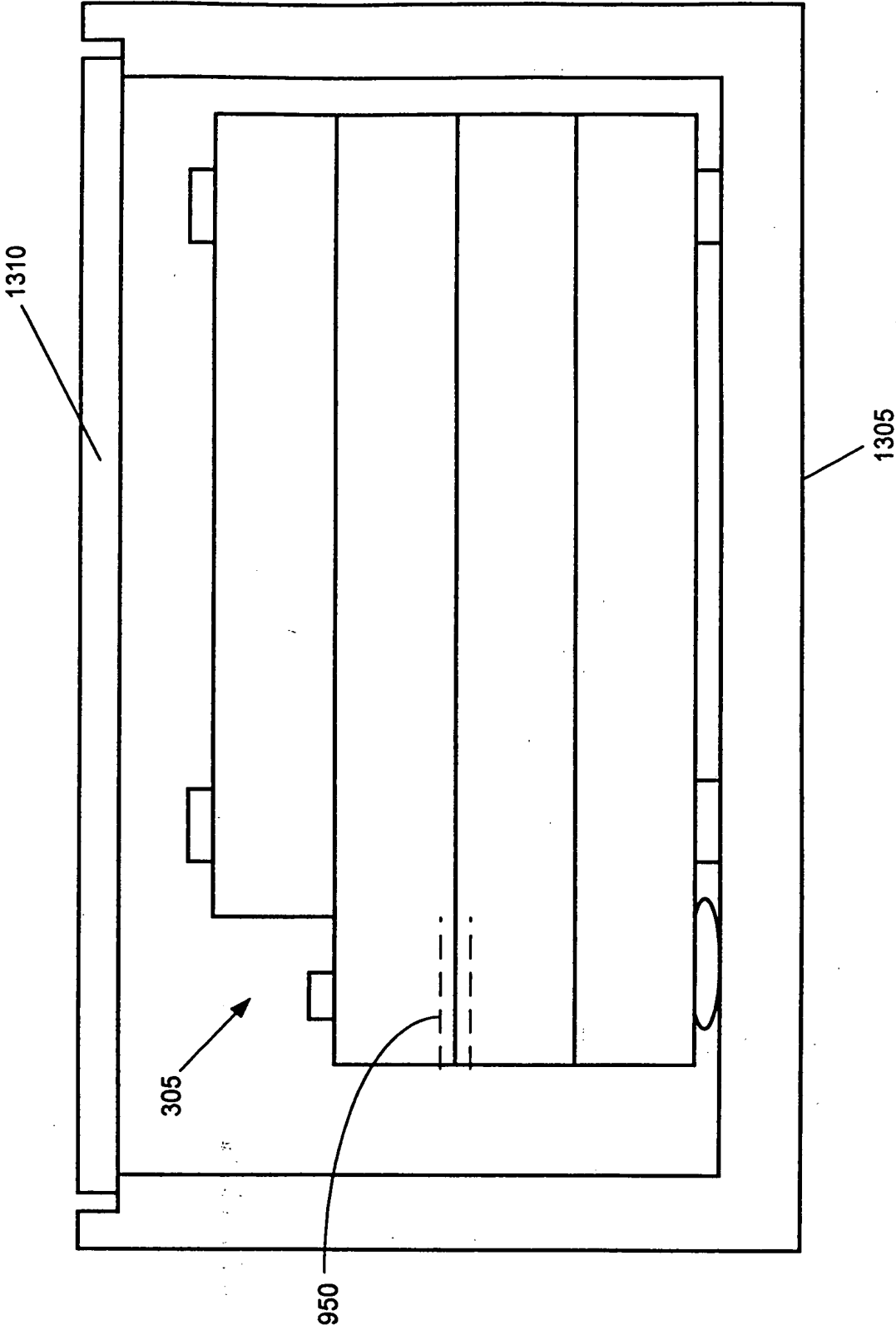


FIGURE 13

FOCUS 982/9860

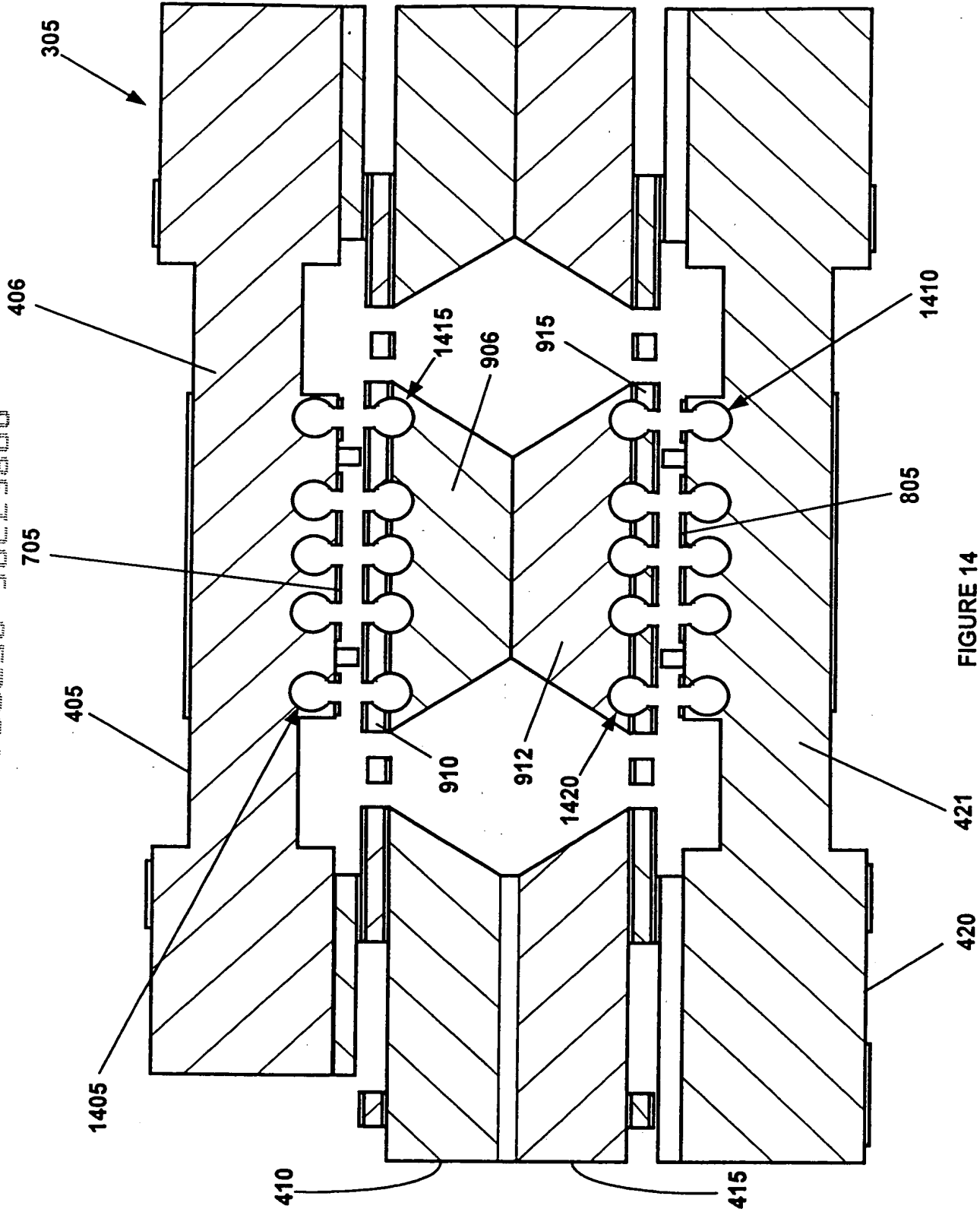


FIGURE 14

FIG. 15

1405, 1410, 1415, 1420

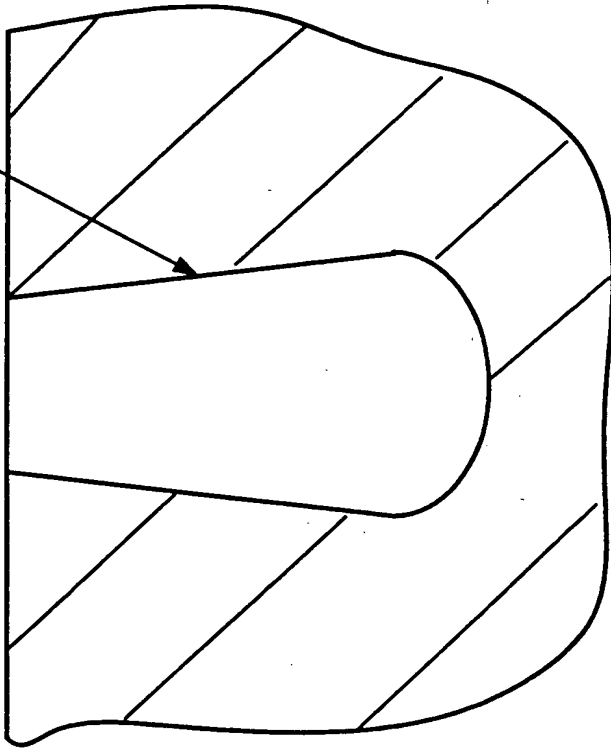


FIGURE 15

FIG. 16

1600

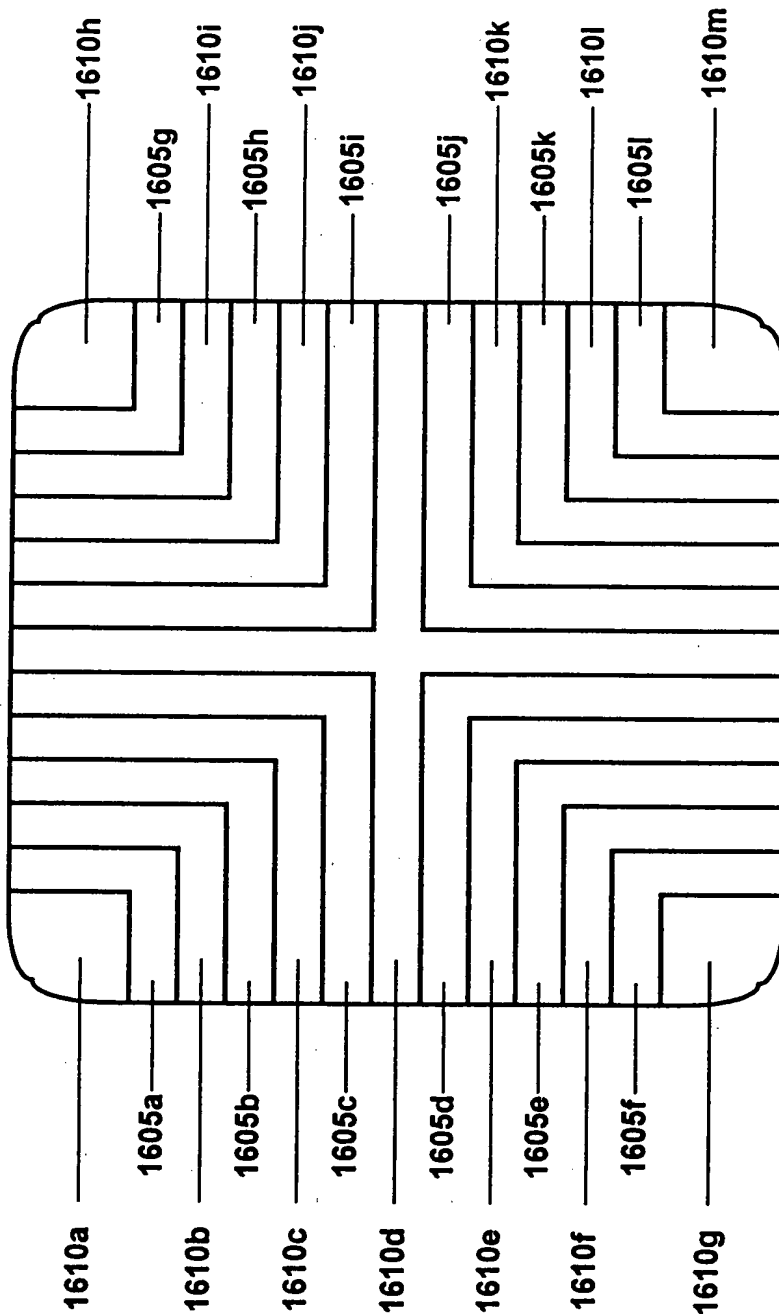


FIGURE 16

FIG. 17

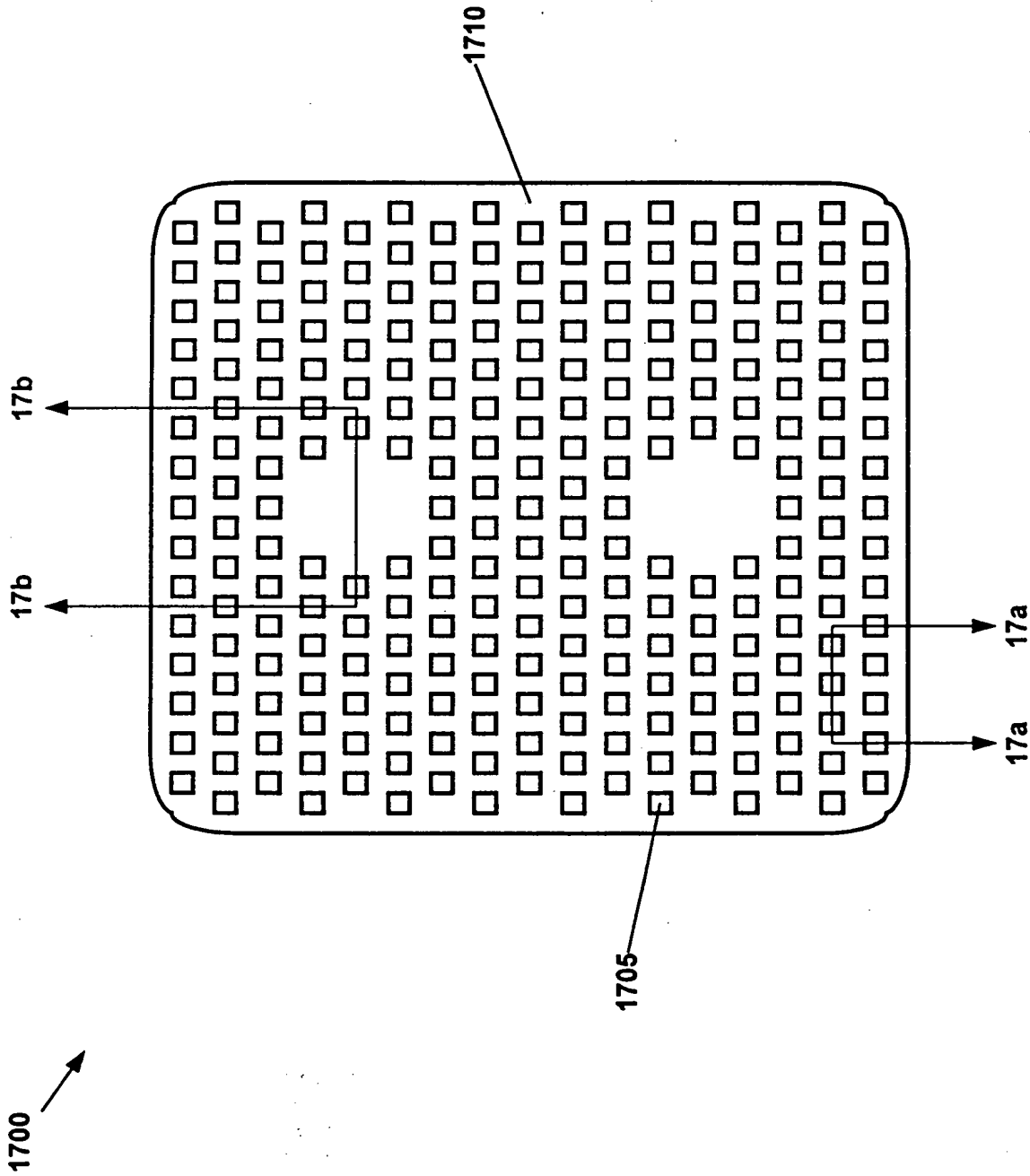


FIGURE 17

FIG. 17a

1700

1700

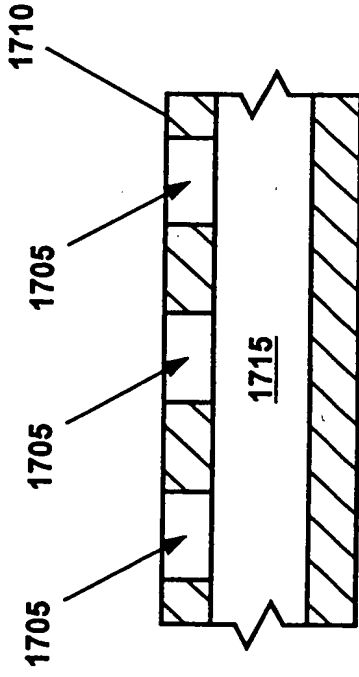


FIGURE 17a

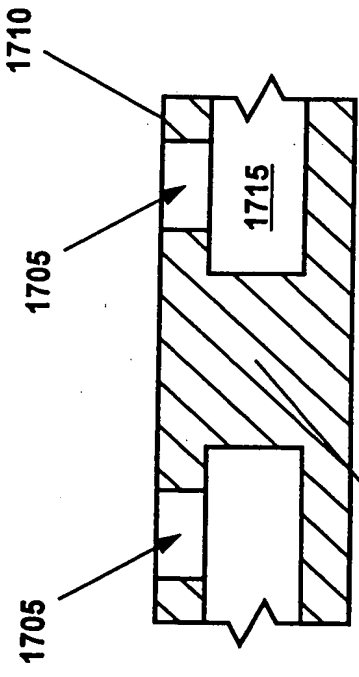


FIGURE 17b

FIG. 18

1800

1805

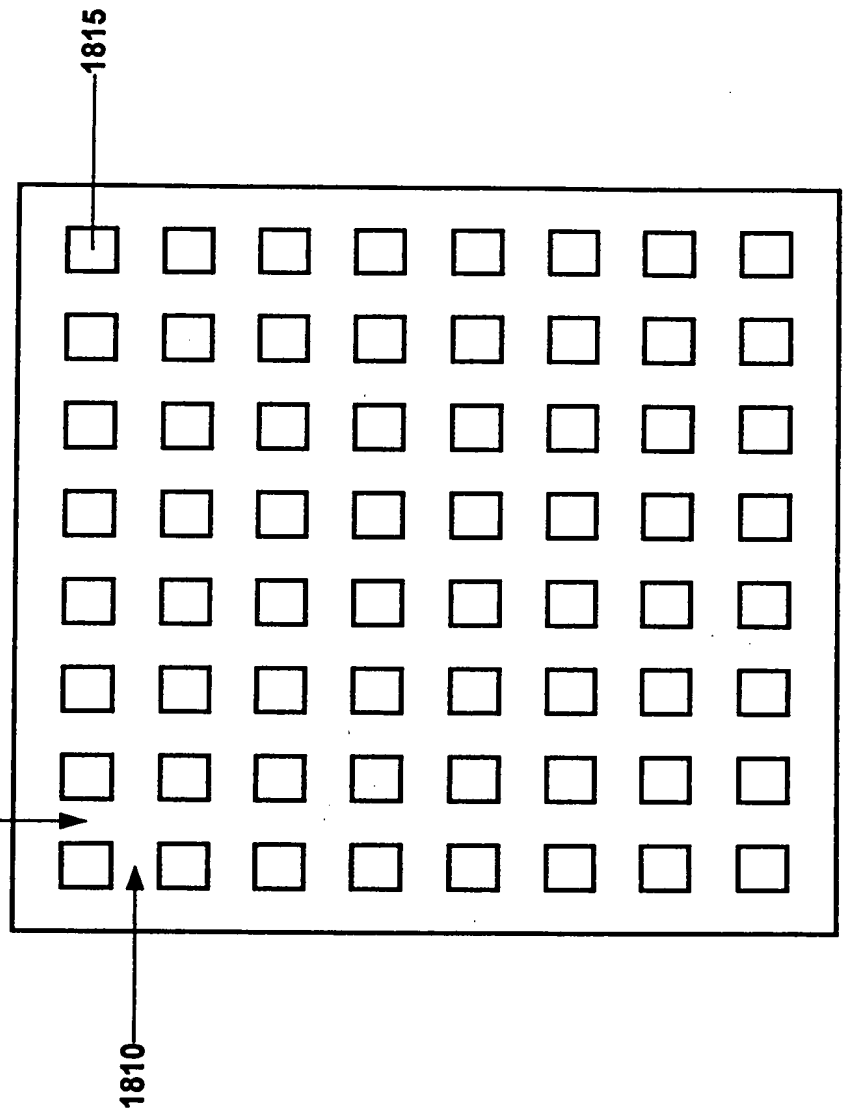


FIGURE 18

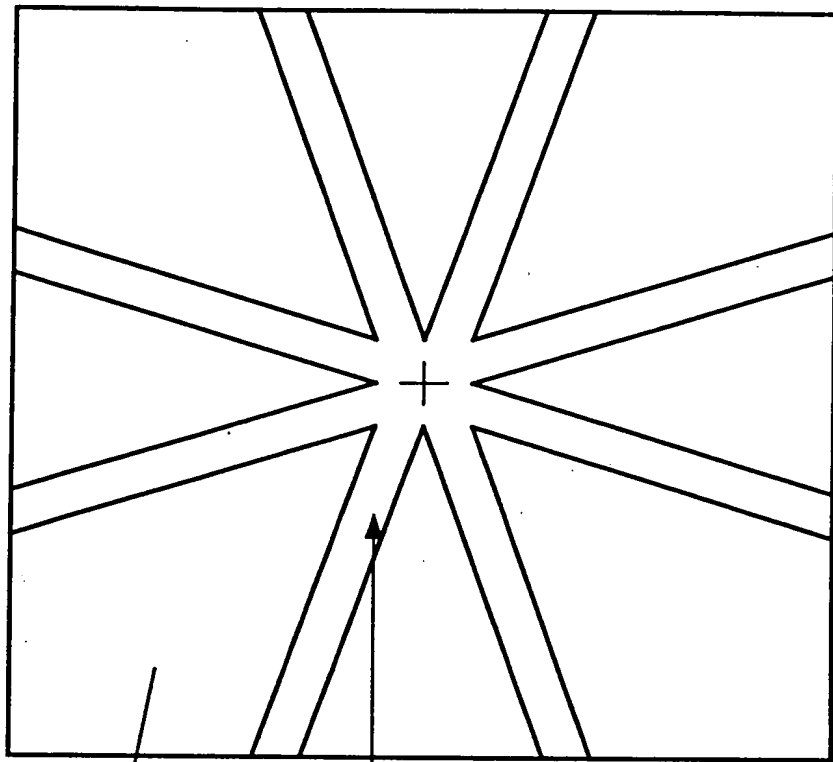


FIGURE 19

100250-9229860

1900

1910

1905



FIG. 20

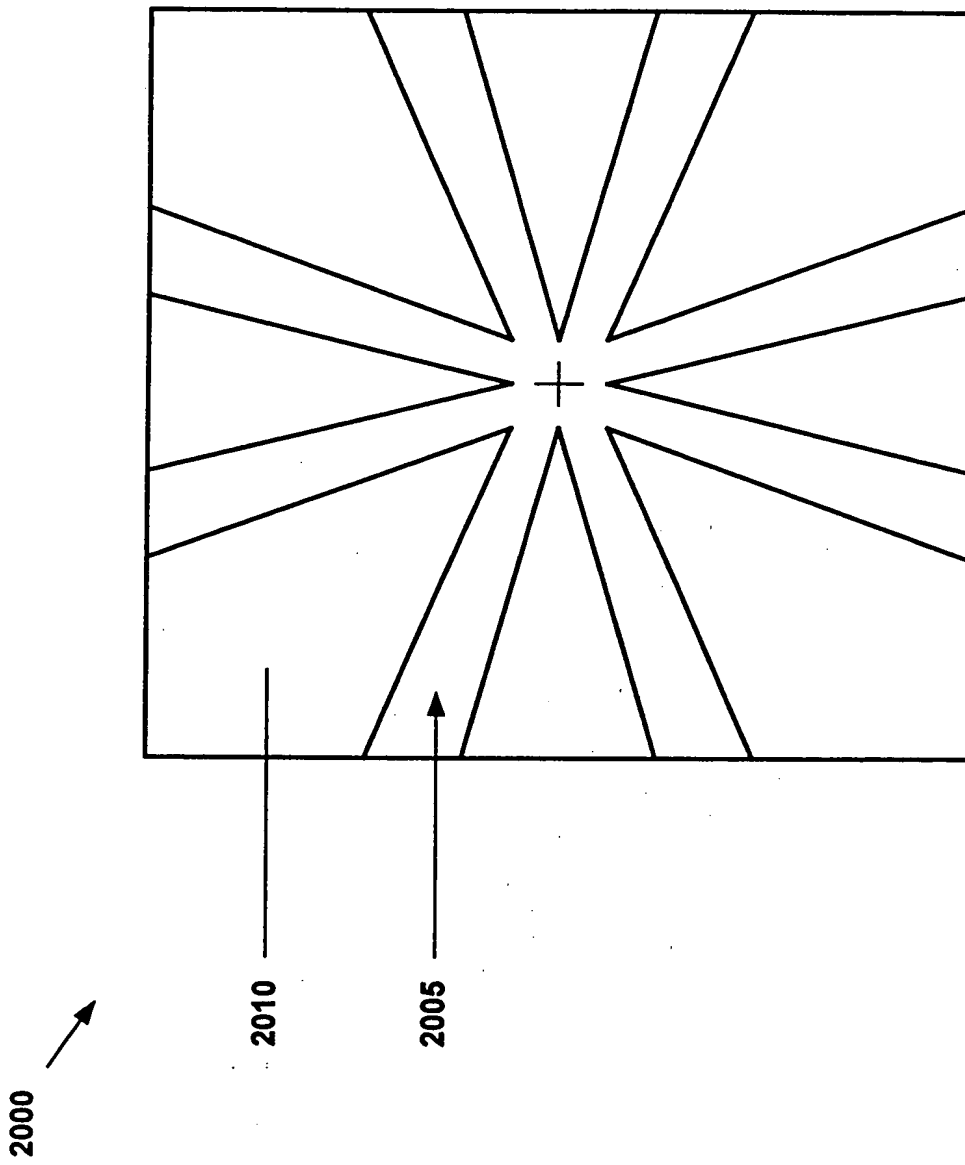


FIGURE 20

FIG. 21a

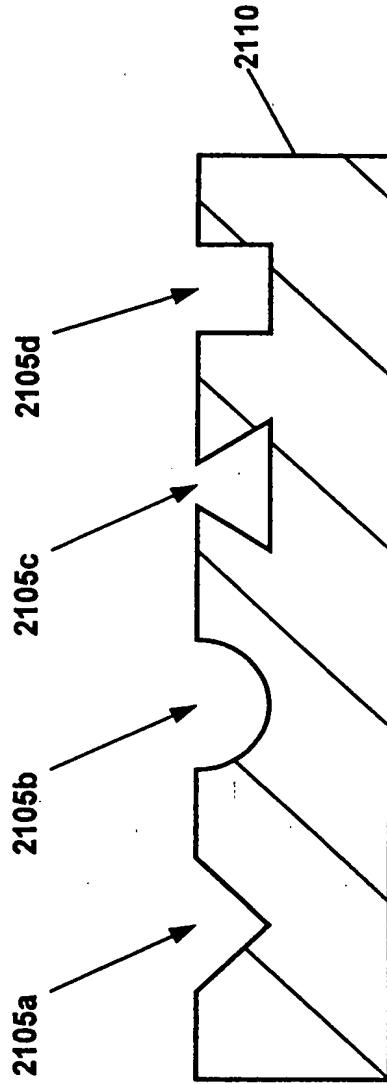


FIGURE 21a

FIG. 21a

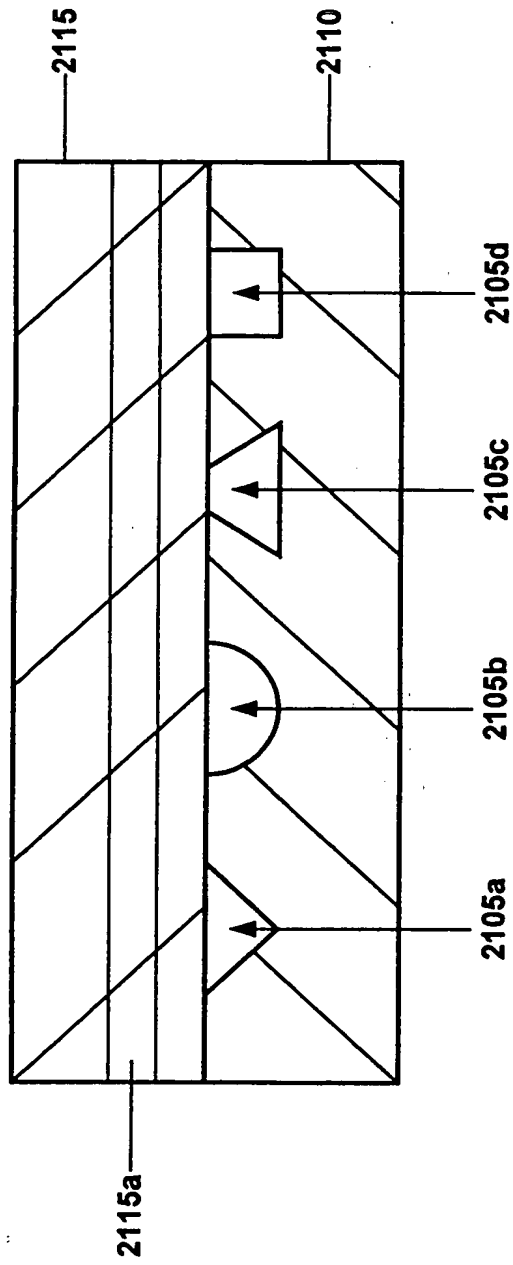


FIGURE 21b

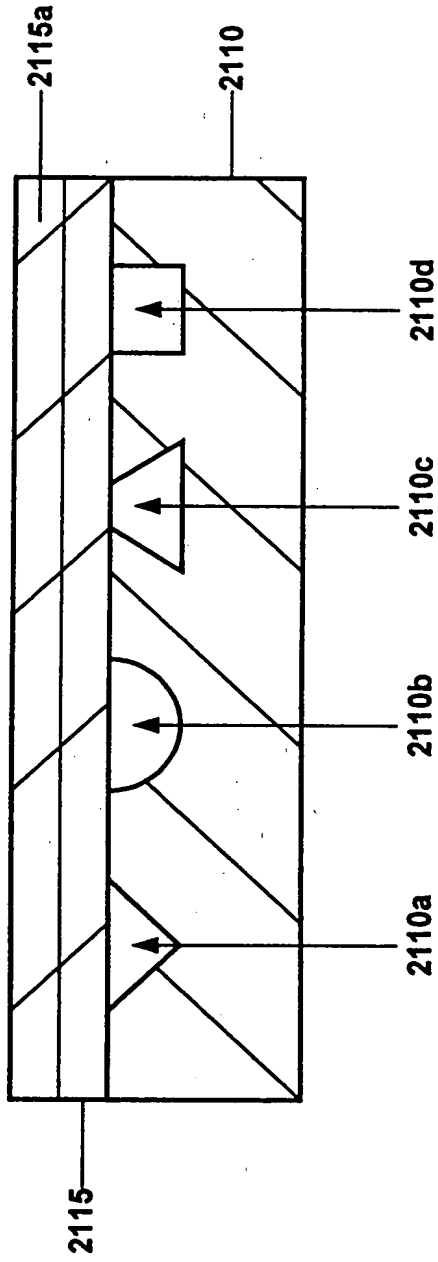


FIGURE 21c

FIG. 21d

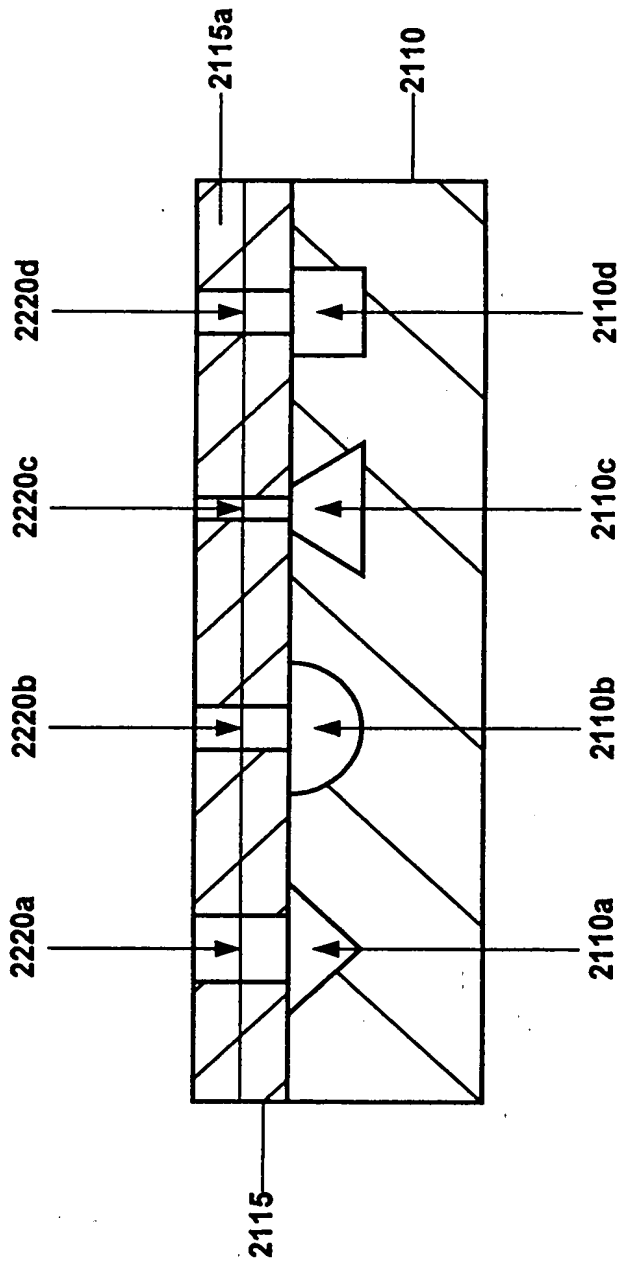


FIGURE 21d

FIG. 22a

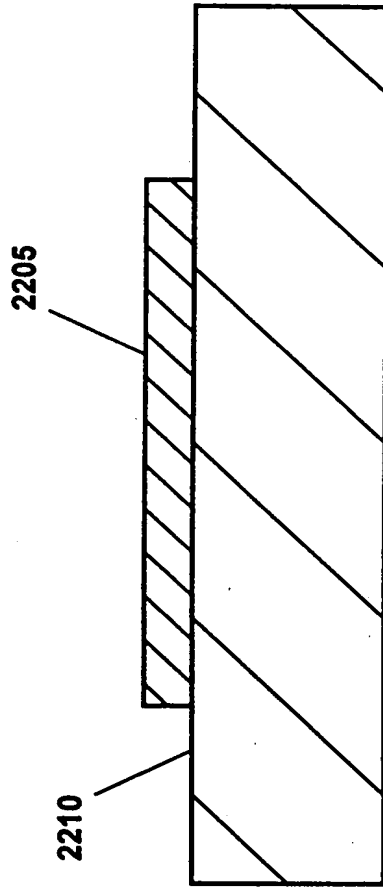


FIGURE 22a

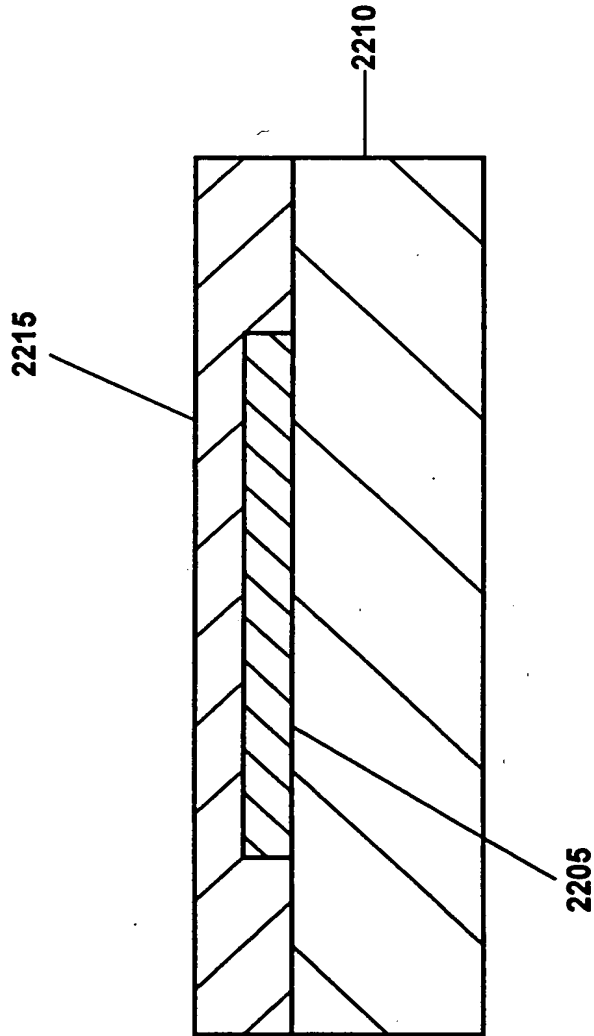


FIGURE 22b

FIG. 22b

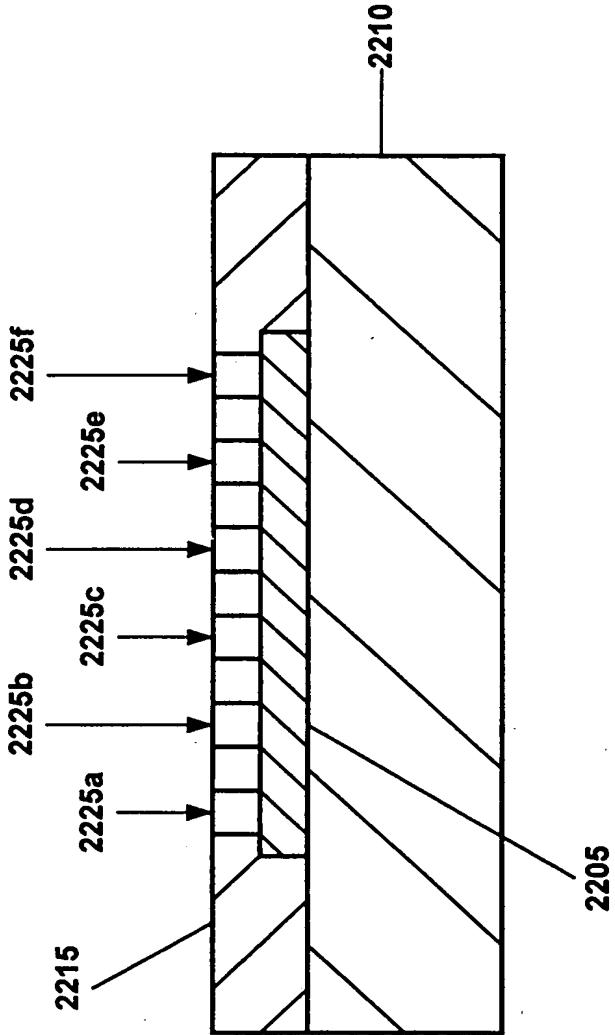


FIGURE 22c

FIG. 22c



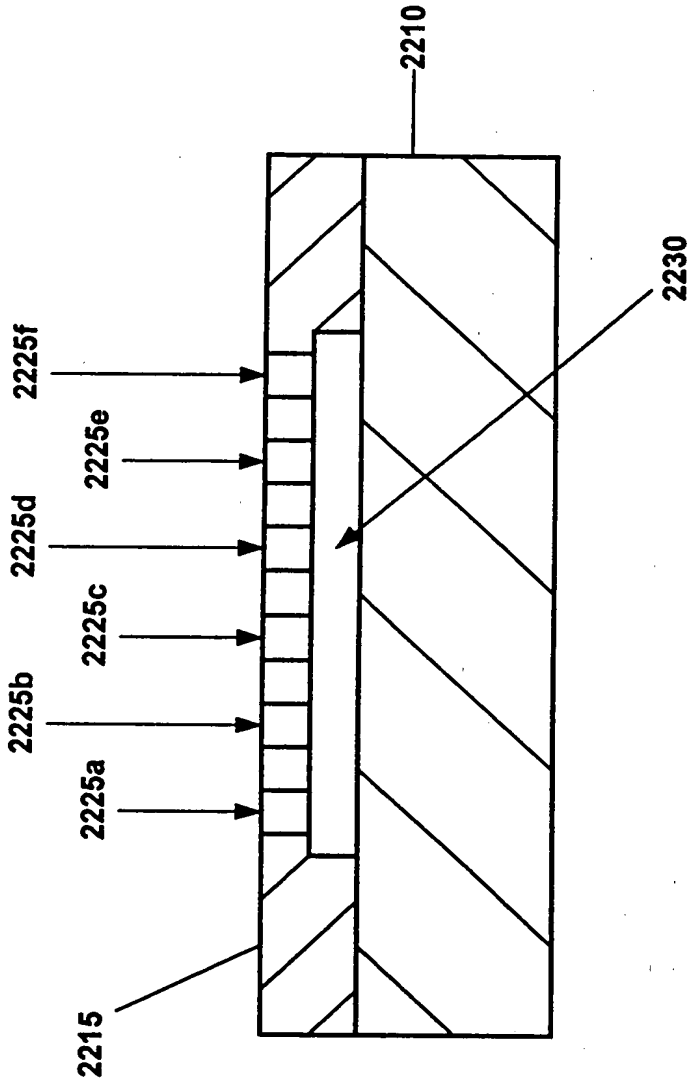


FIGURE 22d

FIG. 22d

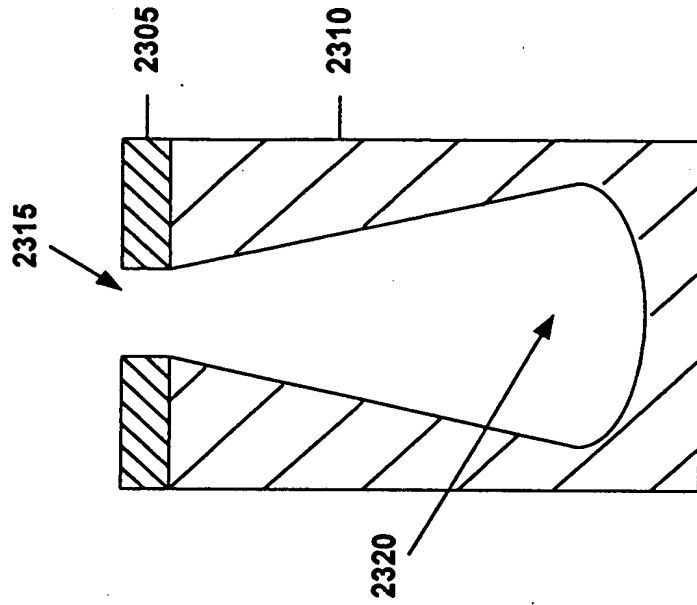


FIGURE 23b

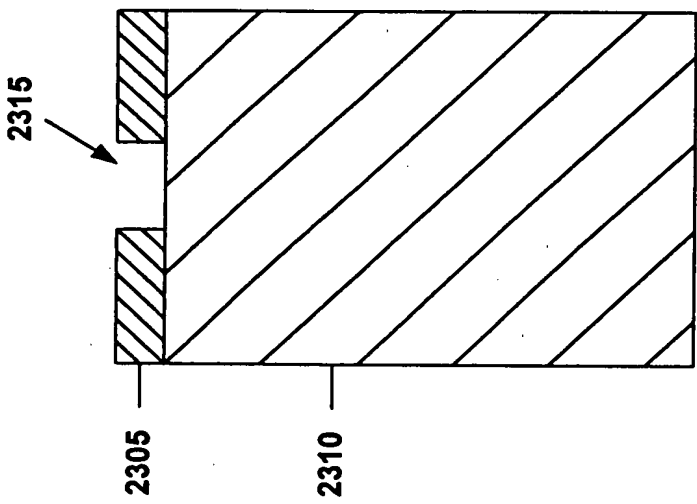


FIGURE 23a

FIG. 23a

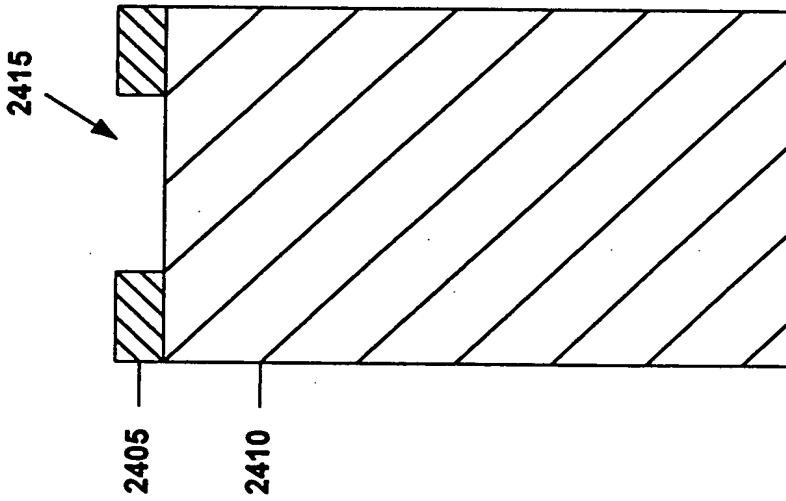


FIGURE 24a

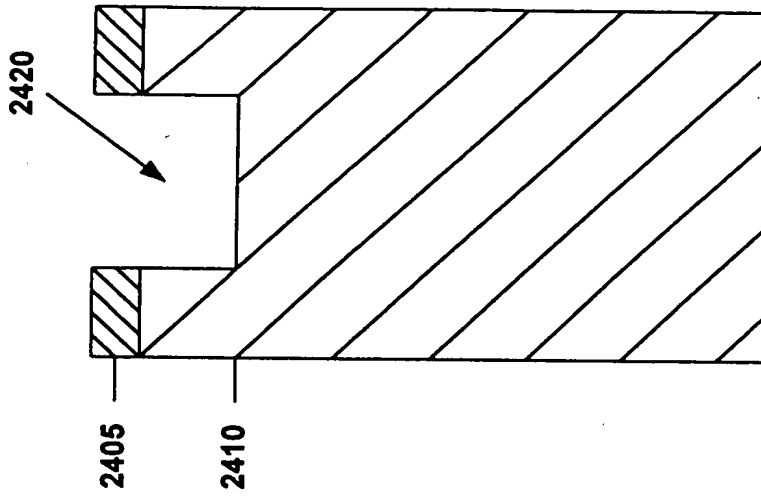


FIGURE 24b

FIGURE 24a

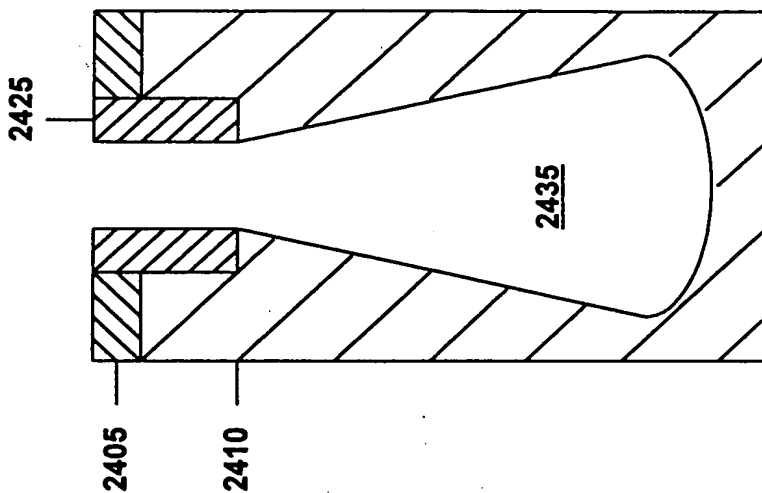


FIGURE 24d

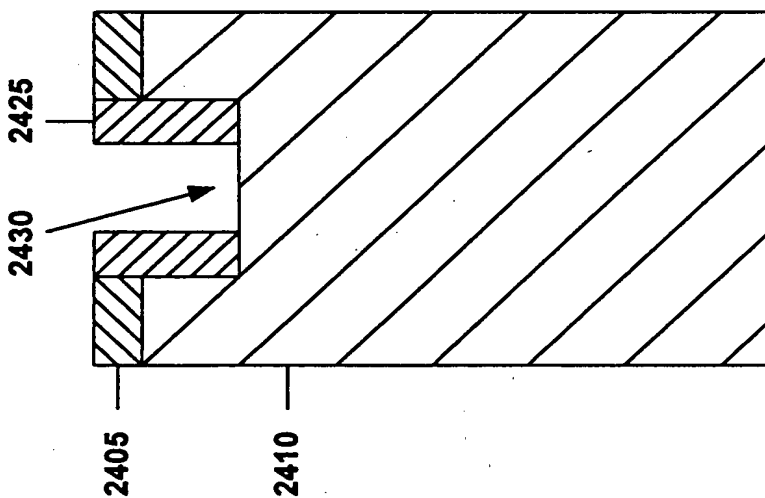


FIGURE 24c

FIG 250 98229860